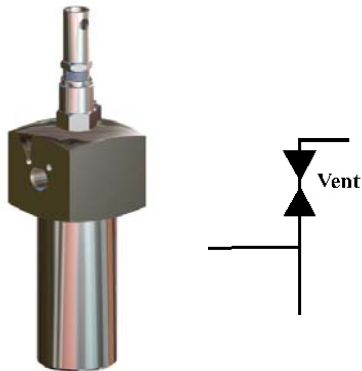


# S M Series Seal Pot 'SSP'

## SEAL POT 6,000 psi [Pn 408] Rated

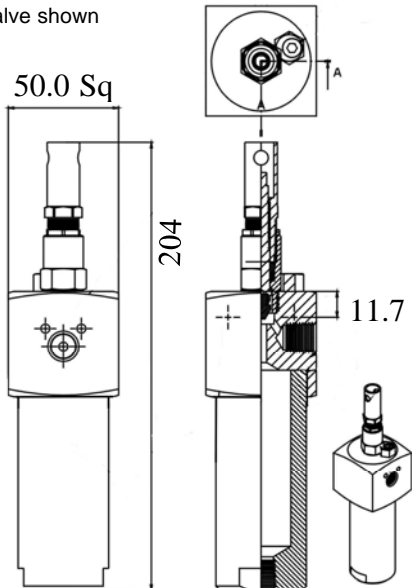
A Single Vent Valved Seal Pot of 50 c.c. Capacity for use in the System Manifold series of valves. Vent valve is Anti-Tamper style with the Key supplied separately for safety but can be supplied with standard head. Panel Mounting holes are provided as standard.



### DESIGN FEATURES

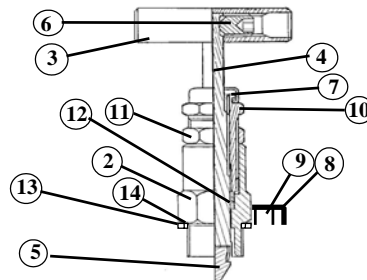
- \* Robust HIGH pressure design
- \* DESIGNED to be maintained
- \* NON-Rotating tip as standard
- \* Hard TIP for effective shut-off and life
- \* Low operating torque
- \* Anti-Tamper bonnet as standard
- \* Smooth 6 turns from OPEN to CLOSE
- \* Back sealing on the stem
- \* 316 ss to NACE Specification
- \* Mounting Holes as standard
- \* Adjustable gland packing NS Head
- \* Full material traceability
- \* Stem Seal below actuating threads to prevent contamination & gauling of threads
- \* Metal/Metal bonnet seal for pressure tightness

Note: For security, anti-tamper keys are not shipped with Vent Valve shown



Bracket Mounting Holes are M6 on 30mm Weight = 1.50

ITEM	COMPONENT	MATERIAL
1	BODY	316 S 11 *
2	BONNET HOUSING	316 S 11 *
3	HANDLE	316 S 11
4	STEM	316 S 11
5	STEM TIP	17 / 4 PH
6	GRUB SCREW	STAINLESS STEEL
7	DUST CAP	PVC
8	RETAINING CAM	STAINLESS STEEL
9	RETAINING SCREW	STAINLESS STEEL
10	GLAND ADJUSTER	316 S 11
11	LOCK NUT	316 S 11
12	GLAND PACKING	PTFE / GRAPHOIL
13	BONNET GASKET	316 S 11
14	BONNET SEAL	V PTFE



### Sample Part Number SPP0508NFS

1/4" NPT [F] 316ss Seal Pot 1/4"NPT Drain, 5mm Bore - 6,000 psi/408Pn Rated Standard Anti-Tamper Head.

VALVE PART NUMBER and ORDERING TABLE					
Valve Series	Bore	Size	Threads	* Material	Options
SSPP 6,000 psi/Pn408	05	08 - 1/4" 15 - 1/2"	NF - NPT (F) NM - NPT (M)  PF - BSPP(F) PM - BSPP(M)  TF - BSPT(F) TM - BPST(M)	A - Ali-Bronze C - C/Steel D - Duplex SS H - Hasteloy I - Incoloy M - Monel S - 316 SS	Tg - Tagging M - Metering tip G - Graphoil  Compression Fittings can be supplied for all

We reserve the right to change specifications stated in this leaflet due to our continuing programme of development. All valves have 'Anti-tamper as standard.



Website: [www.colson.co.uk](http://www.colson.co.uk)

e-mail: [sales@colson.co.uk](mailto:sales@colson.co.uk) Certificate No L RQ 0960294  
ISO 9001 Registered



SSP - 01/08

Park Works, Park Road, ELLAND  
West Yorkshire. HX5 9HN - England

Tel +44 (0) 845 094 3780  
Fax +44 (0) 845 094 3790