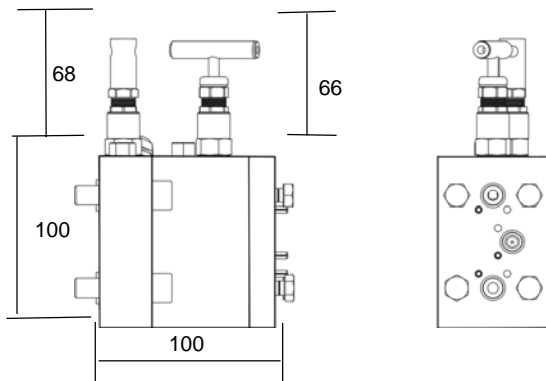
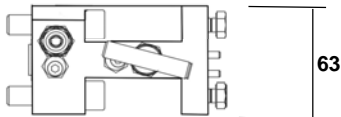
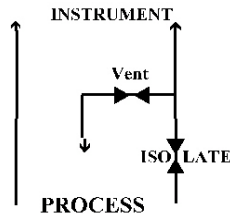
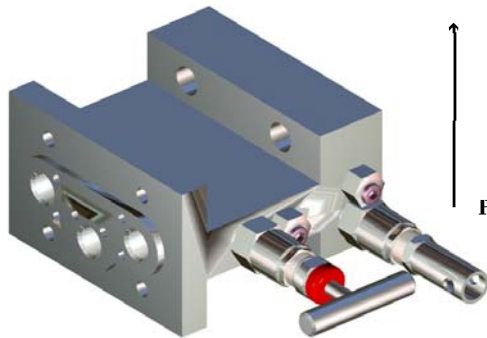


# SM2V System Manifold Series '2V'

6,000 psi [Pn 408] Rated 10,000 psi [Pn 680] Rated

System Manifold 2 Valve Differential Pressure Manifold for Isolation and Vent. Process/Vent connections with locking pin facility for studs



Sample Part Number **SM2VP0515NFS**

1/2" NPT [F] 316ss manifold 1/4"NPT [F] Vent, Standard Head on Isolate and Anti-Tamper head on the vent valves

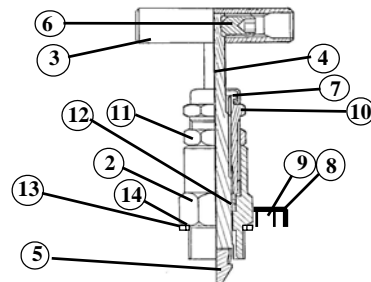
VALVE PART NUMBER and ORDERING TABLE						
Valve Series	Bore	Size	Threads	* Material	Options	
SM2VP	05	08 - 1/4"	NF - NPT (F)	A - Ali-Bronze	Tg - Tagging	
6,000 psi/Pn408		15 - 1/2"	PF - BSPP (F)	D - 31803 Duplex	Tm - Metering tip	
SM2VX			TF - BSPT (F)	H - Hasteloy	G - Graphoil	
10,000 psi/Pn680				I - Incoloy	Hw - Handwheel - 316	
				M - Monel	Bk - Bracket	
				S - 316 SS		

We reserve the right to change specifications stated in this leaflet due to our continuing programme of development.  
All Isolate valves are fitted with 'T' Bar handle.

## DESIGN FEATURES

- \* Top Sealing Bonnet style
- \* Robust HIGH pressure design
- \* DESIGNED to be maintained
- \* NON-Rotating tip as standard
- \* Hard TIP for effective shut-off and life
- \* Low operating torque, -6 turns OPEN to CLOSE
- \* Anti-Tamper head on the vent valve.
- \* Back sealing on the stem
- \* 316 ss to NACE Specification
- \* Mounting Holes as standard
- \* Adjustable gland packing SNV Head
- \* Vent Port with socket pressure plug as standard
- \* Full material traceability
- \* Stem Seal below actuating threads to prevent contamination & gauling of threads
- \* Metal/Metal bonnet seal for pressure tightness even at elevated temperatures
- \* Choice of NE/NL & NS Heads - [NE 6K Only]

ITEM	COMPONENT	MATERIAL
1	BODY	316 S 11 *
2	BONNET HOUSING	316 S 11 *
3	HANDLE	316 S 11
4	STEM	316 S 11
5	STEM TIP	17 / 4 PH
6	GRUB SCREW	STAINLESS STEEL
7	DUST CAP	PVC
8	RETAINING CAM	STAINLESS STEEL
9	RETAINING SCREW	STAINLESS STEEL
10	GLAND ADJUSTER	316 S 11
11	LOCK NUT	316 S 11
12	GLAND PACKING	PTFE / GRAPHOIL
13	BONNET GASKET	316 S 11
14	BONNET SEAL	



**Colson**  
Industries Ltd

Website: [www.colson.co.uk](http://www.colson.co.uk)

e-mail: [sales@colson.co.uk](mailto:sales@colson.co.uk) Certificate No LQR 0960294  
ISO 9001 Registered



SM2V-05/02

Park Works, Park Road, ELLAND  
West Yorkshire. HX5 9HN - England

Tel +44 (0) 845 094 3780  
Fax +44 (0) 845 094 3790