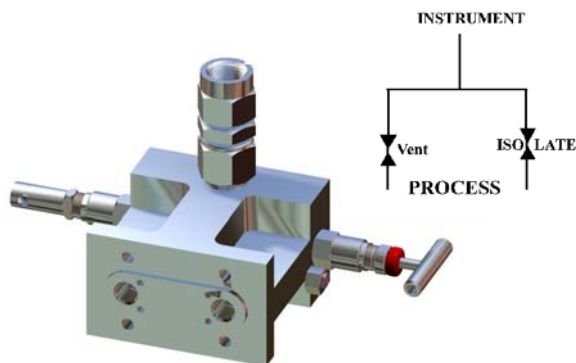


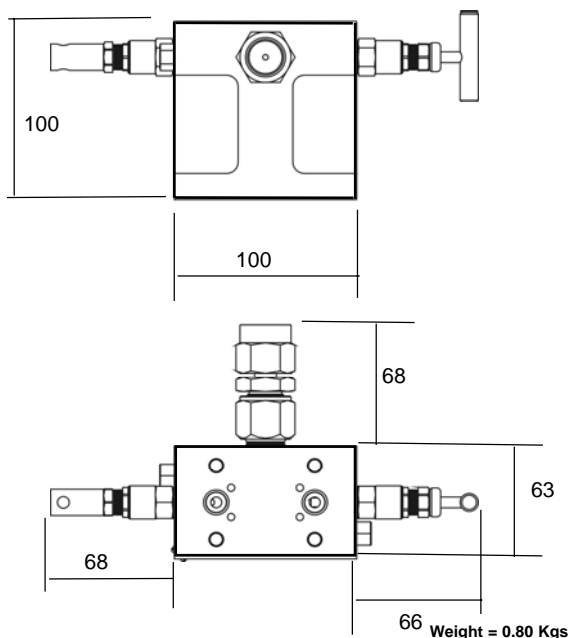
# SM2G System Manifold Series '2G'

## 6,000 psi [Pn 408] Rated 10,000 psi [Pn 680] Rated

System Manifold style 2 Valve Pressure Gauge Manifold for Isolation and Vent. Process/Vent connections are made with locking pin facility for the tubing connecting studs.



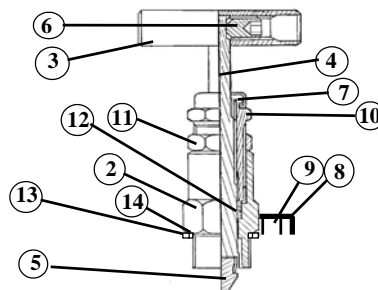
Note: For security, anti-tamper keys are not shipped with the unit



### DESIGN FEATURES

- \* Robust HIGH pressure design
- \* DESIGNED to be maintained
- \* NON-Rotating tip as standard
- \* Hard TIP for effective shut-off, soft tip option
- \* Low operating torque, 6 turns -OPEN to CLOSE
- \* Vent is Anti-Tamper head as Standard
- \* Back sealing on the stem
- \* 316 ss to NACE Specification
- \* Face plate mounting and porting
- \* Heater mounting holes as standard
- \* Adjustable gland packing
- \* Drain Port with socket pressure plug as standard
- \* Full material traceability
- \* Stem Seal below actuating threads to prevent contamination & gauling of threads
- \* Metal/Metal bonnet seal for pressure tightness even at elevated temperatures
- \* Choice of Economy or Standard Head - [6K Only]

ITEM	COMPONENT	MATERIAL
1	BODY	316 S 11 *
2	BONNET HOUSING	316 S 11 *
3	HANDLE	316 S 11
4	STEM	316 S 11
5	STEM TIP	17 / 4 PH
6	GRUB SCREW	STAINLESS STEEL
7	DUST CAP	PVC
8	RETAINING CAM	STAINLESS STEEL
9	RETAINING SCREW	STAINLESS STEEL
10	GLAND ADJUSTER	316 S 11
11	LOCK NUT	316 S 11
12	GLAND PACKING	PTFE / GRAPHOIL
13	BONNET GASKET	316 S 11
14	BONNET SEAL	V PTFE



### Sample Part Number SM2GP0515NF15NFS

1/2" NPT [F] Process /1/2"NPT [F] Gauge Manifold in 316ss, Isolate is Standard Head, Anti-Tamper Vent head, 6,000psi Rated.

VALVE PART NUMBER and ORDERING TABLE						
Valve Series	Bore	Process Size	Threads	* Material	Options	
SM2GP 6,000 psi/Pn408	05	08 - 1/4"	NF - NPT(F)	A - Ali-Bronze D - Duplex SS H - Hasteloy I - Incoloy M - Monel S - 316 SS X - SPECIAL	Tg - Tagging M - Metering tip G - Graphoil H - Handwheel Fc - Filling Connect	
		15 - 1/2"	PF - BSPP(F)			
Gauge Size		Threads				
SM2GX 10,000 psi/Pn680		08 - 1/4"	NF - NPT(F)			
		10 - 3/8"	NM - NPT(M)			
		15 - 1/2"	PF - BSPP(F) PM - BSPP(M)			

We reserve the right to change specifications stated in this leaflet due to our continuing programme of development.  
All Isolate valves are fitted with 'T' Bar handle.