

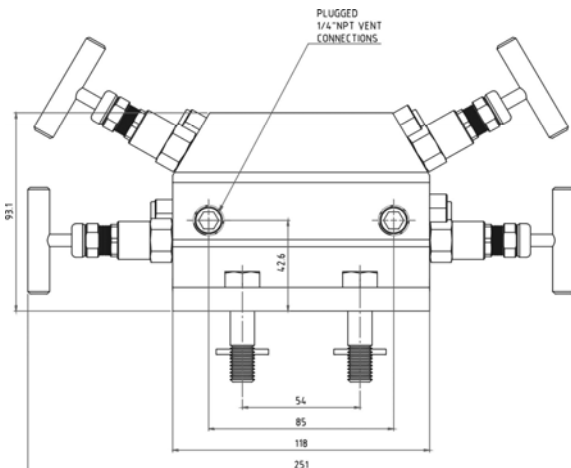
'MS5T' Series Direct MANIFOLD VALVE MS5T

6,000 psi [Pn 408] Rated

10,000 psi [Pn 680] Rated

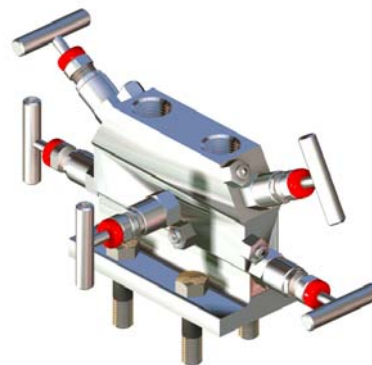
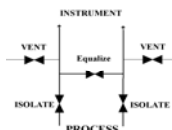
DESIGN FEATURES

- * Top Sealing Bonnet style
- * Robust HIGH pressure design
- * DESIGNED to be maintained
- * NON-Rotating tip as standard
- * Hard TIP for effective shut-off and life
- * Low operating torque
- * Smooth 7 turns from OPEN to CLOSE
- * Back sealing on the stem
- * 316 ss to NACE Specification
- * Angled Head for ease of use
- * Adjustable gland packing
- * Vent Ports with socket pressure plugs as standard
- * Full material traceability
- * Stem Seal below actuating threads to prevent contamination & gauling of threads
- * Metal/Metal bonnet seal for pressure tightness even at elevated temperatures
- * Choice of Economy [NE-6K Only], Standard [NS] or LOW TORK [NL] Heads

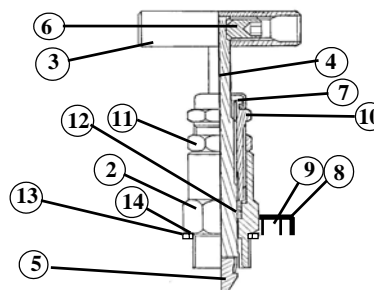


Instrument mounting holes are 54mm centres **Weight = 3.1 Kgs**

A 5 Valve Direct Mounting 'T' Section Manifold



ITEM	COMPONENT	MATERIAL
1	BODY	316 S 11 *
2	BONNET HOUSING	316 S 11 *
3	HANDLE	316 S 11
4	STEM	316 S 11
5	STEM TIP	17 / 4 PH
6	GRUB SCREW	STAINLESS STEEL
7	DUST CAP	PVC
8	RETAINING CAM	STAINLESS STEEL
9	RETAINING SCREW	STAINLESS STEEL
10	GLAND ADJUSTER	316 S 11
11	LOCK NUT	316 S 11
12	GLAND PACKING	PTFE / GRAPHOIL
13	BONNET GASKET	316 S 11
14	BONNET SEAL	V PTFE



Part No. - MS5TP0515NF1S

1/2"NPT[F] 5 Valve Manifold 'T' Section Style WITH
1/4"NPT[F] Vent. Rated 6,000psi/Pn408

VALVE PART NUMBER and ORDERING TABLE						
Valve Series	Orifice	Size	Threads	Vent	* Material	Options
MS5TP 6,000 psi/Pn408	05	08 - 1/4" 15 - 1/2"	NF - NPT-female PF - BSPP-female TF - BSPT-female	0=No Vent 1=1/4"NPT 2=1/4"BSPP 3=1/2"NPT	D - Duplex SS H - Hasteloy I - Incoloy M - Monel S - 316 SS X - SPECIAL	AT- AntiTamper Head Unit ATK- A/T Key G - Graphoil HW - Handwheel-316 Tg - Tagging Tf - Soft Tip [PEEK] Tk - Soft Tip [PVDF] Tm - Metering tip
MS5TX 10,000 psi/Pn680						

We reserve the right to change specifications stated in this leaflet due to our continuing programme of development. All valves have 'T' Bar handle as standard. **Do not repeat part number for Outlet if same as INLET.** For full list of options, see section sheet.

MS5T-Mv2-07/05

Colson
Industries Ltd

Website: www.colson.co.uk

e-mail: sales@colson.co.uk



Certificate No LQR 0960294
ISO 9001 Registered

Park Works, Park Road, ELLAND
West Yorkshire. HX5 9HN - England

Tel +44 (0) 845 094 3780
Fax +44 (0) 845 094 3790