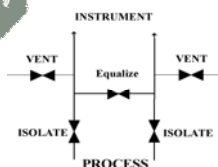
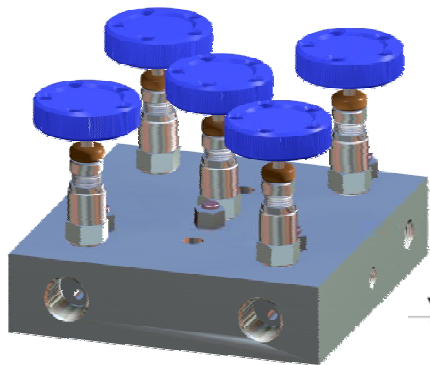


# 'MS5B' Series Remote MANIFOLD VALVES

10,000 psi [Pn 680] Rated 6,000 psi [Pn 408] Rated

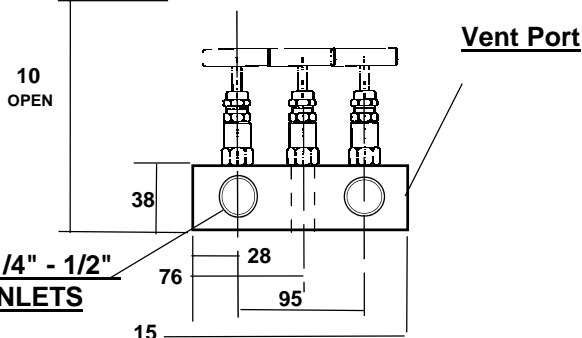
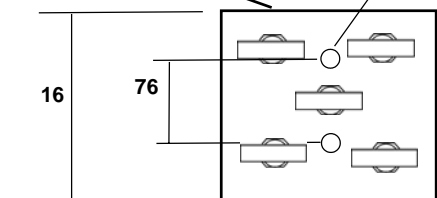
A 5 Valve Manifold, Block Style for Isolation, Equalisation and Vent with all heads on the same plane. For use in wall/panel mounting applications.



## DESIGN FEATURES

- \* Top Sealing Bonnet style
- \* Robust HIGH pressure design
- \* DESIGNED to be maintained
- \* NON-Rotating tip as standard
- \* Hard TIP for effective shut-off and life
- \* Low operating torque
- \* Smooth 6 turns from OPEN to CLOSE
- \* Back sealing on the stem
- \* 316 ss to NACE Specification
- \* Mounting Holes as standard
- \* Adjustable gland packing NS Head
- \* Vent Port with socket pressure plug as standard
- \* Full material traceability
- \* Stem Seal below actuating threads to prevent contamination & gauling of threads
- \* Metal/Metal bonnet seal for pressure tightness even at elevated temperatures
- \* Choice of ENV/LNV & SNV Heads - [ENV 6K Only]

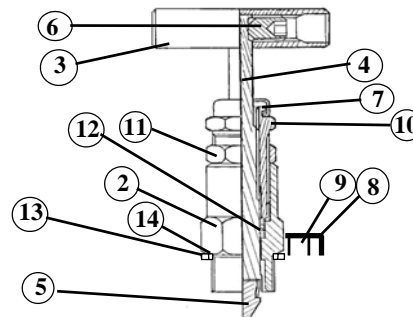
**1/4" - 1/2" OUTLETS**



Mounting Holes are 8.5mm on 76mm Centres

Appx Weight = 7.80 Kgs

ITEM	COMPONENT	MATERIAL
1	BODY	316 S 11 *
2	BONNET HOUSING	316 S 11 *
3	HANDLE	316 S 11
4	STEM	316 S 11
5	STEM TIP	17 / 4 PH
6	GRUB SCREW	STAINLESS STEEL
7	DUST CAP	PVC
8	RETAINING CAM	STAINLESS STEEL
9	RETAINING SCREW	STAINLESS STEEL
10	GLAND ADJUSTER	316 S 11
11	LOCK NUT	316 S 11
12	GLAND PACKING	PTFE / GRAPHOIL
13	BONNET GASKET	316 S 11
14	BONNET SEAL	V PTFE



## Sample Part Number MS2BP0515NF1SW

1/2" NPT 316ss 5 Valve Remote Block manifold 5mm bore - 6,000 psi/Pn408 1/4" NPT Vent,

VALVE PART NUMBER and ORDERING TABLE						
Valve Series	Orifice	Size	Threads	Vent	*Material	Options
MS2BP 6,000 psi/Pn408	05	08 - 1/4" 15 - 1/2"	NF - NPT-female PF - BSPP-female TF - BSPT-female	1=1/4"NPT	D - 31803 Duplex H - Hasteloy I - Incoloy M - Monel S - 316 SS	G - Graphoil HW - Handwheel-316 LHW - Lockable Handwheel-316 Tg - Tagging Tf - Soft Tip [PEEK] Tk - Soft Tip [PVDF]
MS2BX 10,000 psi/Pn680						

We reserve the right to change specifications stated in this leaflet due to our continuing programme of development. All valves



Website: [www.colson.co.uk](http://www.colson.co.uk)

e-mail: [sales@colson.co.uk](mailto:sales@colson.co.uk) Certificate No L R Q 0960294  
ISO 9001 Registered



MS5B 01/08

Park Works, Park Road, ELLAND  
West Yorkshire. HX5 9HN - England

Tel +44 (0) 845 094 3780  
Fax +44 (0) 845 094 3790