

'MS3i' Series Direct MANIFOLD VALVES

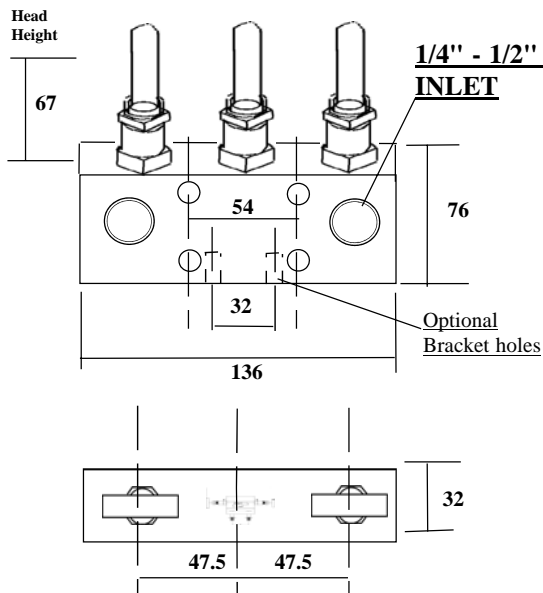
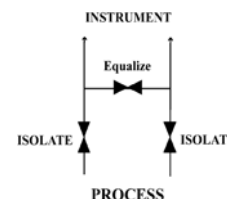
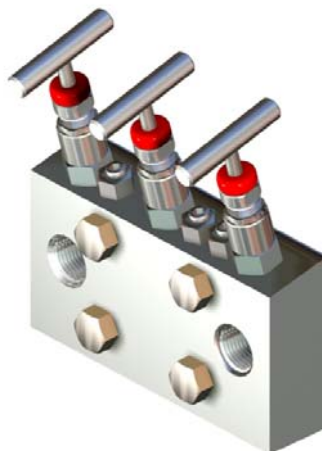
MS3i

6,000 psi [Pn 408] Rated 10,000 psi [Pn 680] Rated

DESIGN FEATURES

- * Top Sealing Bonnet style
- * Robust HIGH pressure design
- * DESIGNED to be maintained
- * NON-Rotating tip as standard
- * Hard TIP for effective shut-off and life
- * Low operating torque
- * Smooth 7 turns from OPEN to CLOSE
- * Back sealing on the stem
- * 316 ss to NACE Specification
- * Angled Head for ease of use
- * Bracket Mounting Holes optional
- * Adjustable gland packing
- * Full material traceability
- * Stem Seal below actuating threads to prevent contamination & gauling of threads
- * Metal/Metal bonnet seal for pressure tightness even at elevated temperatures
- * Choice of Economy [NE-6K Only] or Standard Head [NS]

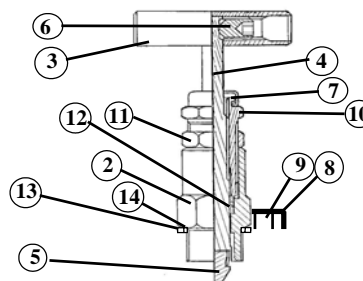
3 Valve Direct Mount Manifold for Isolation and Equalization Block type with all the heads in line.



Instrument Mountings are 54mm centres
Optional bracket mounting holes in base are M8x1.25, 15mm Deep, 32 centres

Weight = 2.30 Kgs

ITEM	COMPONENT	MATERIAL
1	BODY	316 S 11 *
2	BONNET HOUSING	316 S 11 *
3	HANDLE	316 S 11
4	STEM	316 S 11
5	STEM TIP	17 / 4 PH
6	GRUB SCREW	STAINLESS STEEL
7	DUST CAP	PVC
8	RETAINING CAM	STAINLESS STEEL
9	RETAINING SCREW	STAINLESS STEEL
10	GLAND ADJUSTER	316 S 11
11	LOCK NUT	316 S 11
12	GLAND PACKING	PTFE / GRAPHOIL
13	BONNET GASKET	316 S 11
14	BONNET SEAL	V PTFE



Sample Part Number MS3iP0515NF0S

1/2"NPT[F] in 316SS 3 Valve Direct Manifold 5mm Bore, - Rated 6,000psi/Pn 408.

VALVE PART NUMBER and ORDERING TABLE						
Valve Series	Orifice	Size	Threads	Vent	*Material	Options
MS3iP 6,000 psi/Pn408	05	08 - 1/4" 15 - 1/2"	NF - NPT-female PF - BSPP-female TF - BSPT-female	0=No Vent	D - 31803 Duplex SS H - Hasteloy M - Monel S - 316 SS	G - Graphoil HW - Handwheel-316 Tg - Tagging Tf - Soft Tip [PEEK] Tk - Soft Tip [PVDF]
MS3iX 10,000 psi/Pn680						

We reserve the right to change specifications stated in this leaflet due to our continuing programme of development. All valves have 'T' Bar handle as standard.

Colson
Industries Ltd

Website: www.colson.co.uk

e-mail: sales@colson.co.uk Certificate No L R Q 0960294
ISO 9001 Registered



MS3I -01/08

Park Works, Park Road, ELLAND
West Yorkshire. HX5 9HN - England

Tel +44 (0) 845 094 3780
Fax +44 (0) 845 094 3790