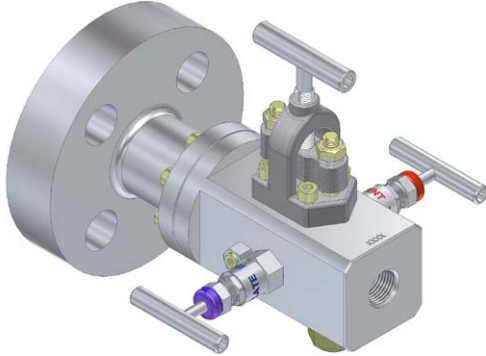


'DMN' Series Double Block & Bleed Modular Block & Bleed Needle Valves

**Fire Tested Design
to BS 6755 Pt 2**



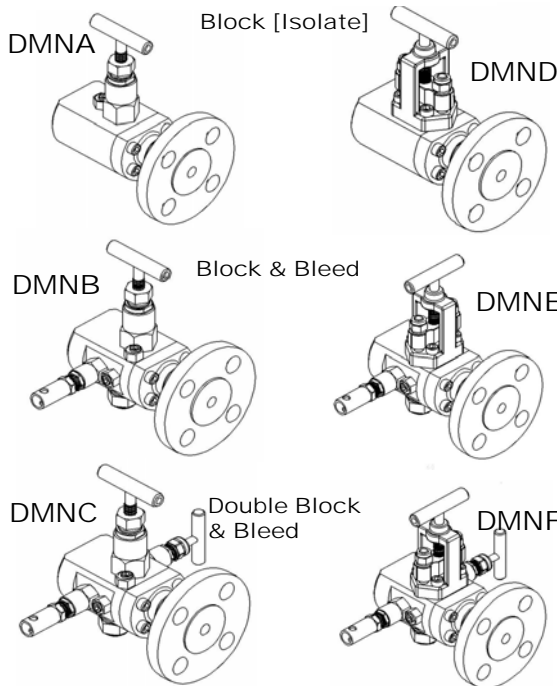
DESIGN FEATURES

ISOLATE VALVE :-

- * Top Sealing Bonnet style
- * Wide choice of Flange and/or thread sizes and Pressure Class, psi/Bar ratings. [MODULAR DESIGN]
- * Robust HIGH pressure DESIGNED to be maintained
- * OS&Y Primary Isolate Valve optional
- * **Large Head assembly for Primary Isolate**
- * NON-Rotating hard tip for effective shut-off
- * Back sealing on the stem & adjustable gland packing
- * Stem Seal below actuating threads to prevent contamination and gauling of threads
- * Metal/Metal bonnet seal for pressure tightness even at elevated temperatures.
- * Choice of Block, Block & Bleed or Double Block& Bleed
- * 316 ss to NACE Specification, Full material traceability

VENT VALVE :- as above but including

- * Anti-Tamper Head unit as option
- * Vent/outlet Port can be supplied with o.d. tube fitting

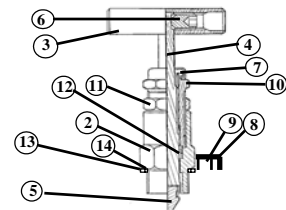
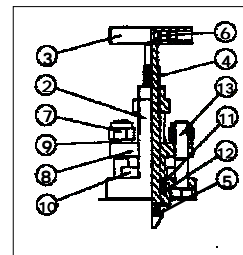


OS&Y HEAD ASSY

ITEM	COMPONENT	MATERIAL
1	FLANGE BODY	316 S 11 *
2	BONNET HOUSING	316 S 11 *
3	HANDLE	316 S 11
4	STEM	316 S 11 *
5	STEM TIP	17/4 PH *
6	GRUB SCREW	STAINLESS STEEL
7	YOKE NUT	STAINLESS STEEL
8	YOKE	316 S 11
9	SPRING WASHER	STAINLESS STEEL
10	CAP SCREW	STAINLESS STEEL
11	GLAND	316 S 11
12	GLAND PACKING	RTFE / GRAPHOIL
13	YOKE ADJUST BOLT	STAINLESS STEEL

SNV HEAD ASSY

ITEM	COMPONENT	MATERIAL
1	BODY	316 S 11 *
2	BONNET HOUSING	316 S 11 *
3	HANDLE	316 S 11
4	STEM	316 S 11
5	STEM TIP	17/4 PH
6	GRUB SCREW	STAINLESS STEEL
7	DUST CAP	PVC
8	RETAINING CAM	STAINLESS STEEL
9	RETAINING ADJUST	STAINLESS STEEL
10	GLAND ADJUSTER	316 S 11
11	LOCK NUT	316 S 11
12	GLAND PACKING	RTFE / GRAPHOIL
13	BONNET GASKET	316 S 11
14	BONNET SEAL	V PTFE



Part No. DMNFN0825CB15NF3S

1"600lb Serrated Face Flange Double Block & Bleed
316ss Needle Valve with OS&Y Primary Isolate
inc.PTFE/17-4PH Trim. 1/2"NPT Outlet/1/4"NPT Vent

VALVE PART NUMBER and ORDERING TABLE									
Series - Style	PRESSURE	BORE	Inlet Size/Type/Finish		Outlet Size/Type/Finish		Vent	* Material	Options
DMNA	F=Flange Rating	05	08	A=C150	A=Smooth	08	A=C150	1=1/4"NPT A - Ali-Bronze C - C/Steel D - Duplex SS H - Hasteloy I - Incoloy M - Monel S - 316 SS X - SPECIAL	-Tg Tagging -H Handwheel -LK Locking Kit -AT AntiTamper Head Unit -ATK A/T Key -HW Handwheel 316 SS -Tg Tagging
DMNB			10	B=C300	B=Smooth	10	B=C300		
DMNC			15	C=C600	B=Serrated	15	C=C600		
	A=1,000/68 S=3000/204 P=6000/408 X=10000/680	08	20	D=C800	C=RTJ	20	D=C800	6=3/4"NPT 7=1"NPT 8=1BSPP	
			25	E=C900	H=HUB	25	E=C900		
			32	F=C1500		32	F=C1500		
DMND	H=N/N/B	40	46	G=C2500		46	G=C2500		
DMNE			50	NF=NPT(F)	NM=NPT(M)	50	NF=NPT(F)		
DMNF			54	PF=BSPP(F)	PM=BSPP(M)	54	PF=BSPP(F)		

We reserve the right to change specifications stated in this leaflet due to our continuing programme of development. All Needle valves have 'T' Bar handle as standard. Anti-Tamper Keys are always supplied separately, for security. It is always advised that the valve is supported an not left to carry the weight of the pipework as damage may occur. *API Flange 1-13/16" & 2-1/16".

DMN - 02/08



Website: www.colson.co.uk

e-mail: sales@colson.co.uk



Certificate No L RQ 0960294
ISO 9001 Registered

Park Works, Park Road, ELLAND
West Yorkshire. HX5 9HN - England

Tel +44 (0) 845 094 3780
Fax +44 (0) 845 094 3790