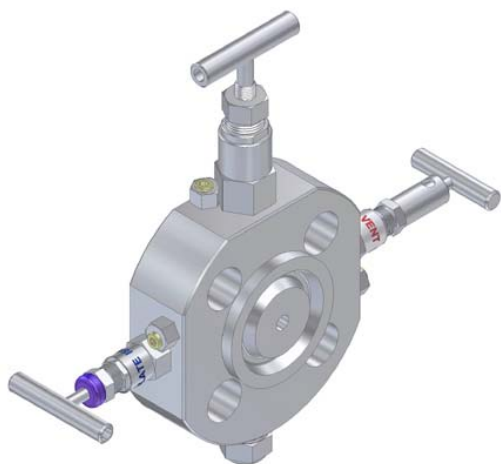


'DMF' Series MONO Flange VALVES

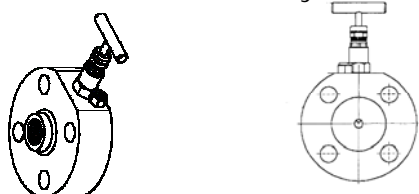
Instrumentation Mono Flange Valves with NS Head units



DESIGN FEATURES

- * Top Sealing Bonnet style
- * Wide choice of Flange sizes and Pressure ratings.
- * Robust HIGH pressure design
- * DESIGNED to be maintained
- * 2 piece stem with NON-Rotating tip as standard
- * Hard TIP for effective shut-off and life
- * Low operating torque, Back sealing on the stem
- * Smooth 7 turns from OPEN to CLOSE
- * Vent valve fitted Anti-tamper head as standard
- * 316 ss to NACE Specification
- * Choice of Block, Block & Bleed or Double Block & Bleed
- * Adjustable gland packing
- * Vent Port with socket pressure plug or Tube fitting
- * Full material traceability
- * Stem Seal below actuating threads to prevent
 - . contamination & gauling of threads
 - * Metal/Metal bonnet seal for pressure tightness
 - . even at elevated temperatures

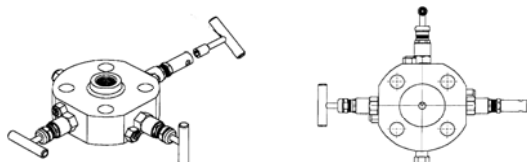
DMFA Series - Block Only



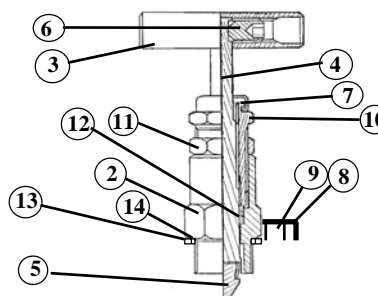
DMFB Series - Block & Bleed



DMFC Series - Double Block & Bleed



ITEM	COMPONENT	MATERIAL
1	BODY	316 S 11 *
2	BONNET HOUSING	316 S 11 *
3	HANDLE	316 S 11
4	STEM	316 S 11
5	STEM TIP	17 / 4 PH
6	GRUB SCREW	STAINLESS STEEL
7	DUST CAP	PVC
8	RETAINING CAM	STAINLESS STEEL
9	RETAINING SCREW	STAINLESS STEEL
10	GLAND ADJUSTER	316 S 11
11	LOCK NUT	316 S 11
12	GLAND PACKING	PTFE / GRAPHOIL
13	BONNET GASKET	316 S 11
14	BONNET SEAL	V PTFE



Part No. DMFCNF0825CB15NF1S

1"600lb Serrated Face Flanged Double Block & Bleed Valve
[Needle/ Needle Configuration] with PTFE/17-4PH Trim.
1/2"NPT [F]Outlet/1/4"NPT [F] Vent in 316ss

VALVE PART NUMBER and ORDERING TABLE											
Series - Style	PRESSURE	BORE	Inlet Size/Type/Finish			Outlet Size/Type/Finish			Vent	* Material	Options
DMFA	A=Needle F=Flange Rating	05 08	08	A=C150	A= Smooth	08	A=C150	A= Smooth	1=1/4"NPT 2=1/4BSPP 3=1/2"NPT 4=1/2BSPP 5=3/4"NPT 6=3/4BSPP 7=1"NPT 8=1"BSPP	A - Ali-Bronze C - C/Steel D - Duplex SS H - Hastelloy I - Incoloy M - Monel S - 316 SS X - SPECIAL	AT Anti Tamper Head unit ATK A/T Key HW Handwheel 316ss Tg Tagging
			10	B=C300		10	B=C300				
			15	C=C600		15	C=C600				
			20	D=C800		20	D=C800				
DMFB	D=N/N A=1,000/68 S=3000/204 P=6000/408 X=10000/6	05 08	25	E=C900	B= Serrated	25	E=C900	B= Serrated	1=1/4"NPT 2=1/4BSPP 3=1/2"NPT 4=1/2BSPP 5=3/4"NPT 6=3/4BSPP 7=1"NPT 8=1"BSPP	A - Ali-Bronze C - C/Steel D - Duplex SS H - Hastelloy I - Incoloy M - Monel S - 316 SS X - SPECIAL	AT Anti Tamper Head unit ATK A/T Key HW Handwheel 316ss Tg Tagging
			32	F=C1500		32	F=C1500				
			40	G=C2500		40	G=C2500				
			46	NF=NPT(F) NM=NPT(M)		46	NF=NPT(F) NM=NPT(M)				
DMFC	D=N/N A=1,000/68 S=3000/204 P=6000/408 X=10000/6	05 08	50	PF=BSPP(F) PM=BSPP(M)	C=RTJ	50	PF=BSPP(F) PM=BSPP(M)	C=RTJ	1=1/4"NPT 2=1/4BSPP 3=1/2"NPT 4=1/2BSPP 5=3/4"NPT 6=3/4BSPP 7=1"NPT 8=1"BSPP	A - Ali-Bronze C - C/Steel D - Duplex SS H - Hastelloy I - Incoloy M - Monel S - 316 SS X - SPECIAL	AT Anti Tamper Head unit ATK A/T Key HW Handwheel 316ss Tg Tagging
			54	PF=BSPP(F) PM=BSPP(M)		54	PF=BSPP(F) PM=BSPP(M)				

We reserve the right to change specifications stated in this leaflet due to our continuing programme of development.

All valves have "T" Bar handle as standard. Anti-Tamper Keys are always supplied separately, for security.

Do not repeat the OUTLET PART NUMBER if same as INLET

DMFS - 07/02

Colson
Industries Ltd

Website: www.colson.co.uk

e-mail: sales@colson.co.uk



Certificate No L RQ 0960294
ISO 9001 Registered

Park Works, Park Road,
ELLAND, West Yorkshire,
HX5 9HN - England

Tel +44 (0) 845 094 3780
Fax +44 (0) 845 094 3790