

'DMC' Series Double Block & Bleed

Modular Block & Bleed Chemical Injection Valves

DESIGN FEATURES

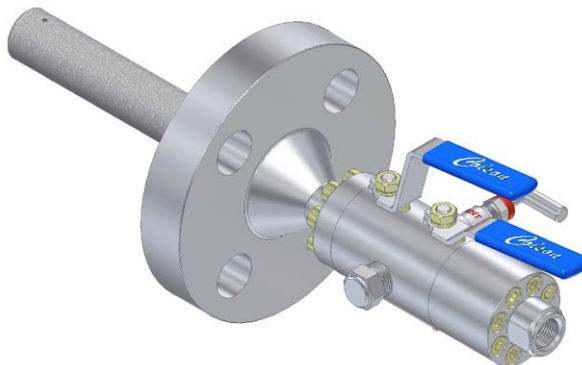
ISOLATE VALVE :-

- * Top Selaing Bonnet style
- * Wide choice of Flange and/or thread sizes and Pressure Class or psi/Bar ratings. [MODULAR DESIGN]
- * Robust HIGH pressure DESIGNED to be maintained
- * OS&Y Primary Isolate Valve optional
- * **Large Head assembly for Primary Isolate**
- * NON-Rotating hard tip for effective shut-off
- * Back sealing on the stem & adjustable gland packing
- * Stem Seal below actuating threads to prevent contamination and gauling of threads
- * Metal/Metal bonnet seal for pressure tightness even at elevated temperatures.
- * Choice of Block, Block & Bleed or Double Block & Bleed
- * 316 ss to NACE Specification, Full material traceability

VENT VALVE :- as above but including

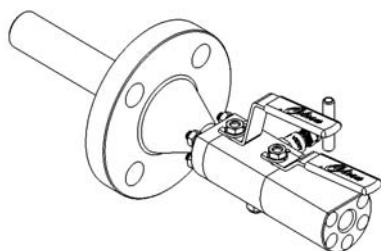
- * Anti-Tamper Head unit as option
- * Vent/outlet Port can be supplied with o.d. tube fitting

Fire Tested Design to BS 6755 Pt 2



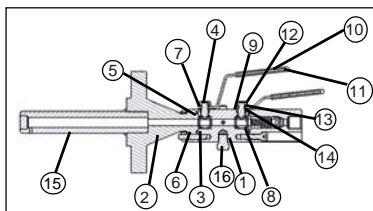
DMC CM

Double Block & Bleed -Ball/Needle/Ball Style- With Non Return Valve and Nozzle fitted



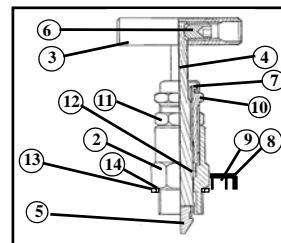
BALL VALVE ASSY

ITEM	COMPONENT	MATERIAL
1	Vent BODY	A182 F316L
2	FLANGE BODY	316 S 11
3	BALL	316 S 11
4	STEM	316 S 11
5	STEM SEAL	PTFE/GRAPHOIL
6	SEATS	PTFE / PVDF/PEEK
7	TOP SEAL	RTFE/GRAPHO
8	END FLANGE SEAL	PTFE/GRAPHOIL
9	PIN	STAINLESS STEEL
10	LEVER HANDLE	STAINLESS STEEL
11	HANDLE SLEEVE	PVC
12	NUT	A4 ss
13	WASHER	A4 ss
14	SPACER	316 SS
15	PROBE	316 SS
16	VENT PLUG	316 SS



SNV HEAD ASSY

ITEM	COMPONENT	MATERIAL
1	BODY	316 S 11
2	BONNET HOUSING	316 S 11
3	HANDLE	316 S 11
4	STEM	316 S 11
5	STEM TIP	17 / 4 PH
6	GRUB SCREW	STAINLESS STEEL
7	DUST CAP	PVC
8	RETAINING CAM	STAINLESS STEEL
9	RETAINING SCREW	STAINLESS STEEL
10	GLAND ADJUSTER	316 S 11
11	LOCK NUT	316 S 11
12	GLAND PACKING	RTFE / GRAPHOIL
13	BONNET GASKET	316 S 11
14	BONNET SEAL	V PTFE



1"600lb Serrated Face Flange Double Block & Bleed Injection Valve with Probe and Check valve in 316ss Ball Valve Primary & Secondary Isolate, Needle vent valve with PTFE/17-4PH Trim. 1/2"NPT Outlet/1/4"NPT Vent

Part No **DMCCMF1015BA15NF3S-78**

VALVE PART NUMBER and ORDERING TABLE											
Series - Style	PRESSURE	BORE	Inlet Size/Type/Finish		Outlet Size/Type/Finish		Vent	Material	Options	Probe Length	
DMCC	M=B/N/B	F=Flange Rating A=1,000/68 S=3000/204 P=6000/408 X=10000/680	10	08 A=C150 10 B=C300 15 C=C600 20 D=C800 25 E=C900 32 F=C1500 40 G=C2500	A= Smooth B= Serrated C=RTJ H=HUB	08 A=C150 10 B=C300 15 C=C600 20 D=C800 25 E=C900 32 F=C1500 40 G=C2500	A= Smooth B= Serrated C=RTJ H=HUB	1=1/4"NPT 2=1/4BSPP 3=1/2"NPT 4=1/2BSPP 5=3/4"NPT 6=3/4BSPP 7=1"NPT 8=1BSPP	A - All-Bronze C - C/Steel D - Duplex SS H - Hasteloy I - Incoloy M - Monel S - 316 SS X - SPECIAL	-Tg Tagging -H Handwheel -LK Locking Kit -AT AntiTamper Head Unit -ATK A/T Key -HW Handwheel 316 SS -Tg Tagging	Specify in mm
DMCC	N-N/N/N		46 50 54	NF=NPT(F) NM=NPT(M) PF=BSPP(F) PM=BSPP(M)		46 50 54	NF=NPT(F) NM=NPT(M) PF=BSPP(F) PM=BSPP(M)				

We reserve the right to change specifications stated in this leaflet due to our continuing programme of development. All Needle valves have 'T' Bar handle as standard. Anti-Tamper Keys are always supplied separately, for security. It is always advised that the valve is supported on a not left to carry the weight of the pipework as damage may occur. * = API Flange 1-13/16" & 2-1/16".

DMC - 07/05



Website: www.colson.co.uk

e-mail: sales@colson.co.uk



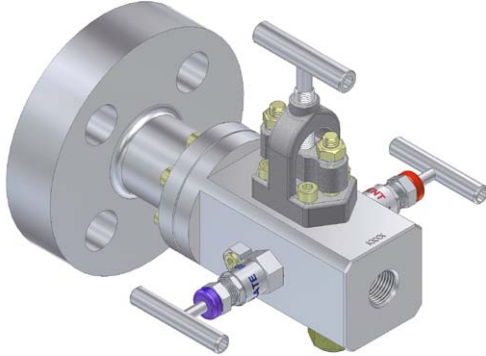
Certificate No L RQ 0960294
ISO 9001 Registered

Park Works, Park Road, ELLAND
West Yorkshire. HX5 9HN - England

Tel +44 (0) 845 094 3780
Fax +44 (0) 845 094 3790

'DBN' Series Double Block & Bleed Modular Block & Bleed Needle Valves

**Fire Tested Design
to BS 6755 Pt 2**



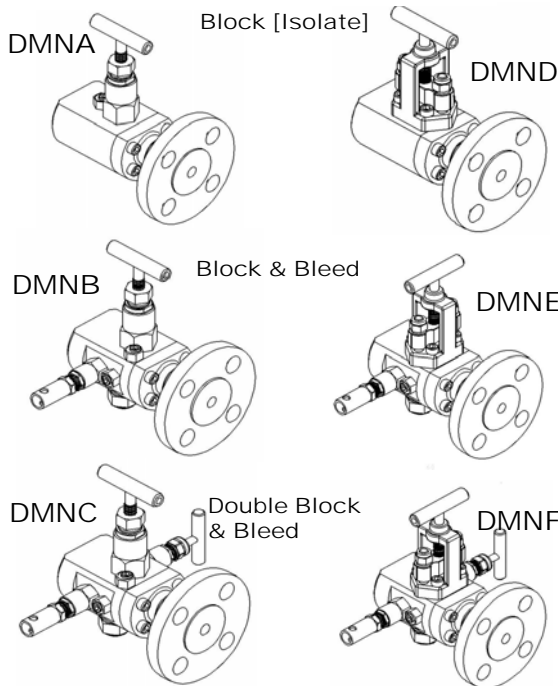
DESIGN FEATURES

ISOLATE VALVE :-

- * Top Selaing Bonnet style
- * Wide choice of Flange and/or thread sizes and Presure . Class or psi/Bar ratings. [MODULAR DESIGN]
- * Robust HIGH pressure DESIGNED to be maintained
- * OS&Y Primary Isolate Valve optional
- * **Large Head assembly for Primary Isolate**
- * NON-Rotating hard tip for effective shut-off
- * Back sealing on the stem & adjustable gland packing
- * Stem Seal below actuating threads to prevent . contamination and gauling of threads
- * Metal/Metal bonnet seal for pressure tightness . even at elevated temperatures.
- * Choice of Block, Block & Bleed or Double Block& Bleed
- * 316 ss to NACE Specification, Full material traceability

VENT VALVE :- as above but including

- * Anti-Tamper Head unit as option
- * Vent/outlet Port can be supplied with o.d. tube fitting

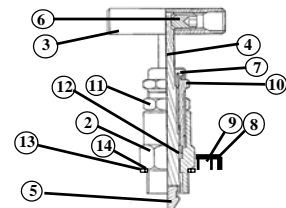
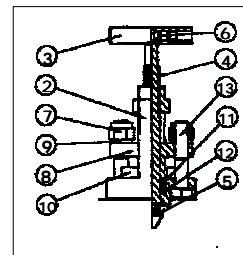


OS&Y HEAD ASSY

ITEM	COMPONENT	MATERIAL
1	FLANGE BODY	316 S 11 *
2	BONNET HOUSING	316 S 11 *
3	HANDLE	316 S 11
4	STEM	316 S 11 *
5	STEM TIP	17/4 PH *
6	GRUB SCREW	STAINLESS STEEL
7	YOKE NUT	STAINLESS STEEL
8	YOKE	316 S 11
9	SPRING WASHER	STAINLESS STEEL
10	CAP SCREW	STAINLESS STEEL
11	GLAND	316 S 11
12	GLAND PACKING	RTFE / GRAPHOIL
13	YOKE ADJUST BOLT	STAINLESS STEEL

SNV HEAD ASSY

ITEM	COMPONENT	MATERIAL
1	BODY	316 S 11
2	BONNET HOUSING	316 S 11
3	HANDLE	316 S 11
4	STEM	316 S 11
5	STEM TIP	17/4 PH
6	GRUB SCREW	STAINLESS STEEL
7	DUST CAP	PVC
8	RETAINING CAM	STAINLESS STEEL
9	RETAINING ADJUST	STAINLESS STEEL
10	GLAND ADJUSTER	316 S 11
11	LOCK NUT	316 S 11
12	GLAND PACKING	RTFE / GRAPHOIL
13	BONNET GASKET	316 S 11
14	BONNET SEAL	V PTFE



Part No. DMNFNF0825CB15NF3S

**1"600lb Serrated Face Flange Double Block & Bleed
316ss Needle Valve with OS&Y Primary Isolate
inc.PTFE/17-4PH Trim. 1/2"NPT Outlet/1/4"NPT Vent**

VALVE PART NUMBER and ORDERING TABLE									
Series - Style	PRESSURE	BORE	Inlet Size/Type/Finish		Outlet Size/Type/Finish		Vent	* Material	Options
DMNA	F=Flange Rating	05	08	A=C150	A= Smooth	08	A=C150	A - Ali-Bronze	-Tg Tagging
DMNB			10	B=C300	B= Smooth	10	B=C300	C - C/Steel	-H Handwheel
DMNC	A=1,000/68 S=3000/204 P=6000/408 X=10000/680	08	15	C=C600	B= Serrated	15	C=C600	D - Duplex SS	-LK Locking Kit
			20	D=C800	C=RTJ	20	D=C800	E=C900	H - Hasteloy
	H=N/N/B		25	E=C900	H=HUB	25	E=C900	I - Incoloy	-ATK A/T Key
			32	F=C1500		32	F=C1500	G=C2500	M - Monel
DMND	J=N/B/B		40	G=C2500		40	G=C2500	X - SPECIAL	-Tg Tagging
DMNE			46	NF=NPT(F)		46	NF=NPT(F)		
DMNF	N-N/N/N		50	NM=NPT(M)		50	NM=NPT(M)		
			54	PF=BSPP(F) PM=BSPP(M)		54	PF=BSPP(F) PM=BSPP(M)		

We reserve the right to change specifications stated in this leaflet due to our continuing programme of development. All Needle valves have 'T' Bar handle as standard. Anti-Tamper Keys are always supplied separately, for security. It is always advised that the valve is supported an not left to carry the weight of the pipework as damage may occur. *API Flange 1-13/16" & 2-1/16".

DMN - 02/04



Website: www.colson.co.uk

e-mail: sales@colson.co.uk



Certificate No L R Q 0960294
ISO 9001 Registered

Park Works, Park Road, ELLAND
West Yorkshire. HX5 9HN - England

Tel +44 (0) 845 094 3780
Fax +44 (0) 845 094 3790