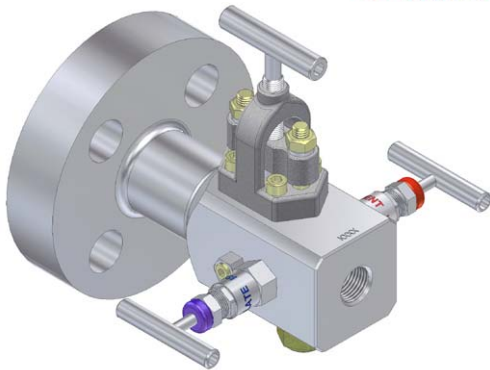


# 'DFN' Series Block & Bleed VALVES

## Flanged Block & Bleed Needle Valves

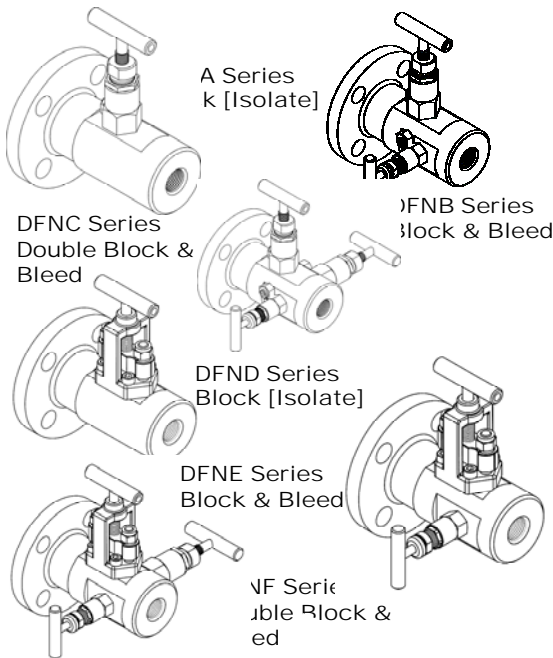
**Fire Tested Design  
to BS 6755 Pt 2**



### DESIGN FEATURES

#### ISOLATE VALVE :-

- \* Top Sealing Bonnet style
  - \* Wide choice of Flange sizes and Pressure ratings.
  - \* Robust HIGH pressure DESIGNED to be maintained
  - \* OS&Y Primary Isolate Valve optional
  - \* **Large Head assembly for Primary/Secondary Isolate**
  - \* NON-Rotating hard tip for effective shut-off
  - \* Back sealing on the stem & adjustable gland packing
  - \* Stem Seal below actuating threads to prevent contamination and gauling of threads
  - \* Metal/Metal bonnet seal for pressure tightness even at elevated temperatures.
  - \* Choice of Block, Block & Bleed or Double Block & Bleed
  - \* 316 ss to NACE Specification, Full material traceability
- #### VENT VALVE :- as above but including
- \* Anti-Tamper Head unit as option
  - \* Bleed Port with socket pressure plug or Tube fitting

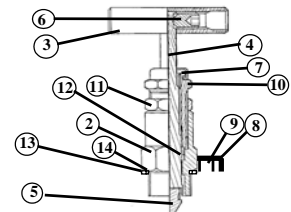
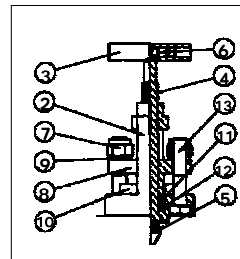


#### OS&Y HEAD ASSY

ITEM	COMPONENT	MATERIAL
1	FLANGE BODY	316 S 11 *
2	BONNET HOUSING	316 S 11 *
3	HANDLE	316 S 11
4	STEM	316 S 11 *
5	STEM TIP	17/4 PH *
6	GRUB SCREW	STAINLESS STEEL
7	YOKE NUT	STAINLESS STEEL
8	YOKE	316 S 11
9	SPRING WASHER	STAINLESS STEEL
10	CAP SCREW	STAINLESS STEEL
11	GLAND	316 S 11
12	GLAND PACKING	PTFE / GRAPHOIL
13	YOKE ADJUST BOLT	STAINLESS STEEL

#### NS HEAD ASSY

ITEM	COMPONENT	MATERIAL
1	BODY	316 S 11 *
2	BONNET HOUSING	316 S 11 *
3	HANDLE	316 S 11
4	STEM	316 S 11
5	STEM TIP	17/4 PH
6	GRUB SCREW	STAINLESS STEEL
7	DUST CAP	PVC
8	RETAINING CAM	STAINLESS STEEL
9	RETAINING SCREW	STAINLESS STEEL
10	GLAND ADJUSTER	316 S 11
11	LOCK NUT	316 S 11
12	GLAND PACKING	PTFE / GRAPHOIL
13	BONNET GASKET	316 S 11
14	BONNET SEAL	V PTFE



Part No. DFNCNF0825CB15NF1S

1"600lb Serrated Face Flanged Double Block & Bleed Valve [Needle/ Needle/Needle Configuration] with PTFE/17-4PH Trim. 1/2"NPT Outlet/1/4"NPT Vent in316ss

VALVE PART NUMBER and ORDERING TABLE							
Series - Style	PRESSURE	BORE	Inlet Size/Type/Finish	Outlet Size/Type/Finish	Vent	Material	Options
DFNA	A=Needle	F=Flange Rating	08 A=C150 A= Smooth	08 A=C150 A= Smooth	1=1/4"NPT	A - Ali-Bronze	-AT AntiTamper
DFNB	C=N/B		10 B=C300 B= Smooth	10 B=C300 B= Smooth	2=1/4BSPP	C - C/Steel	Head Unit
DFNC	D=N/N	A=1,000/68 S=3000/204 P=6000/408 X=10000/680	15 C=C600 B= Serrated	15 C=C600 B= Serrated	3=1/2"NPT	D - Duplex SS	-ATK A/T Key
	H=N/N/B		20 D=C800 C=RTJ	20 D=C800 C=RTJ	4=1/2BSPP	H - Hasteloy	-HW Handwheel
DFND	J=N/B/B	08	25 E=C900 H=HUB	25 E=C900 H=HUB	5=3/4"NPT	I - Incoloy	316 SS
DFNE	N=N/N/N		32 F=C1500	32 F=C1500	6=3/4BSPP	M - Monel	
DFNF		40 G=C2500	40 G=C2500	7=1"NPT	S - 316 SS		
		46 NF=NPT(F)	46 NF=NPT(F)	8=1BSPP	X - SPECIAL		-Tg Tagging
		50 NM=NPT(M)	50 NM=NPT(M)				
		54 PF=BSPP(F)	54 PF=BSPP(F)				
		65 PM=BSPP(M)	65 PM=BSPP(M)				

We reserve the right to change specifications stated in this leaflet due to our continuing programme of development. All Needle valves have 'T' Bar handle as standard. Anti-Tamper Keys are always supplied separately, for security. (DFN - 02/04)  
Do not repeat the OUTLET PART NUMBER if same as INLET



Website: www.colson.co.uk



e-mail:sales@colson.co.uk

Certificate No LRQ 0960294  
ISO 9001 Registered

Park Works, Park Road, ELLAND  
West Yorkshire. HX5 9HN - England

Tel +44 (0) 845 094 3780  
Fax +44 (0) 845 094 3790