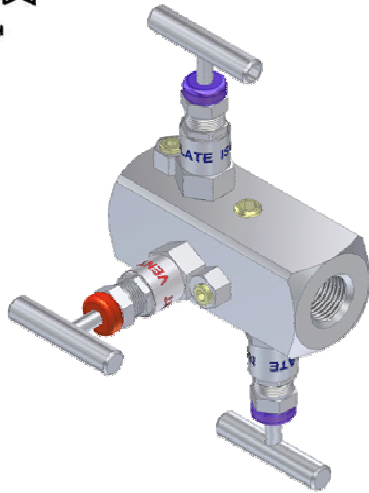
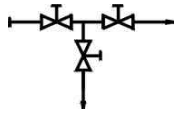


'DBN' Series Double Block & Bleed

Double Block & Bleed Needle Valves

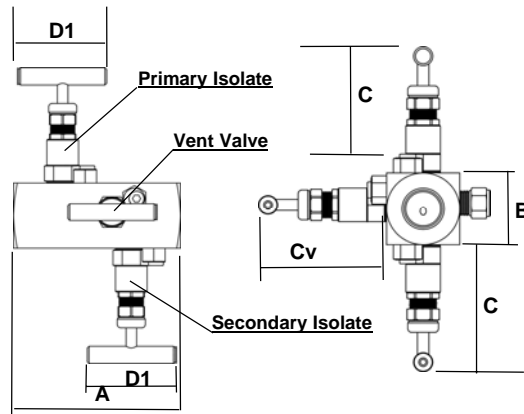
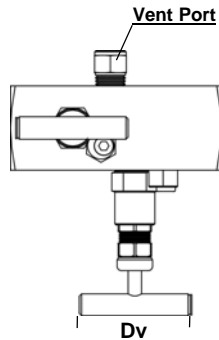
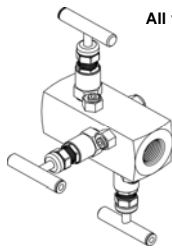
6,000 psi [Pn 408] & 10,000 psi [Pn 680] Rated



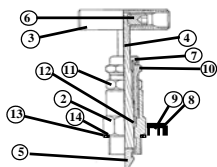
DESIGN FEATURES

- * Top Sealing Bonnet style
- * Wide choice of Thread sizes and Pressure ratings.
- * Robust HIGH pressure design
- * DESIGNED to be maintained
- * 2 piece stem with NON-Rotating tip as standard
- * Hard TIP for effective shut-off and life
- * Low operating torque - back sealing on the stem
- * Smooth 6 turns from OPEN to CLOSE
- * 316 ss to NACE Specification
- * Choice of Block & Bleed or Double Block & Bleed
- * Adjustable gland packing [SNV] or LoTork [LNV]
- * Vent Port with pressure plug as standard
- * Full material traceability
- * Stem Seal below actuating threads to prevent contamination & gauling of threads
- * Metal/Metal bonnet seal for pressure tightness even at elevated temperatures

All valves have 1/4"NPT Vent port as standard



Materials - 316ss Valve
NS HEAD ASSY



ITEM	COMPONENT	MATERIAL
1	BODY	316 S 11
2	BONNET HOUSING	316 S 11
3	HANDLE	316 S 11
4	STEM	316 S 11
5	STEM TIP	17 / 4 PH
6	GRUB SCREW	STAINLESS STEEL
7	DUST CAP	PVC
8	RETAINING CAM	STAINLESS STEEL
9	RETAINING SCREW	STAINLESS STEEL
10	GLAND ADJUSTER	316 S 11
11	LOCK NUT	316 S 11
12	GLAND PACKING	PTFE / GRAPHOIL
13	BONNET GASKET	316 S 11
14	BONNET SEAL	V PTFE

DIMENSION TABLE							
SIZE	A	B	C	Cv	D1	Dv	Wt
08 - 1/4"	95	38	67	67	50	50	1.30
10 - 3/8"	95	38	67	67	50	50	1.30
15 - 1/2"	95	38	67	67	50	50	1.30
20 - 3/4"	150	45	90	67	60	50	2.10
25 - 1"	150	45	90	67	60	50	2.10

Sample Part Number DBNCNP0825NF25NF1S

1"NPT 6000PSI/408Bar Double Block & Bleed Needle Valve [Needle/ Needle/Needle Configuration] with PTFE/17-4PH Trim.
1" NPTF Outlet/1/4"NPT Vent in 316ss

VALVE PART NUMBER and ORDERING TABLE									
Series - Style	Pressure	BORE	Inlet Size/Type		Outlet Size/Type		Vent	* Material	Options
DBNB	P=6000/408	05	08	NF=NPT(F) NM=NPT(M)	08	NF=NPT(F) NM=NPT(M)	1=1/4"NPT 3=1/2"NPT	A - Ali-Bronze D - 31803 Duplex S - 316 SS	-AT AntiTamper -HW Handwheel 316 SS
			10		10				
DBNC	X=10000/680	08	20	PF=BSPP(F) PM=BSPP(M)	20	PF=BSPP(F) PM=BSPP(M)			
			N=N/N/N		25		25		

We reserve the right to change specifications stated in this leaflet due to our continuing programme of development.
All Needle valves have Tee handle as standard.

DBN - 01/08



Website: www.colson.co.uk



e-mail: sales@colson.co.uk Certificate No LQR 0960294
ISO 9001 Registered

Park Works, Park Road,
ELLAND. W. Yorkshire.
HX5 9HN - England

Tel +44 (0) 845 094 3780
Fax +44 (0) 845 094 3790