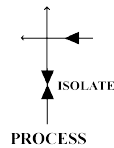
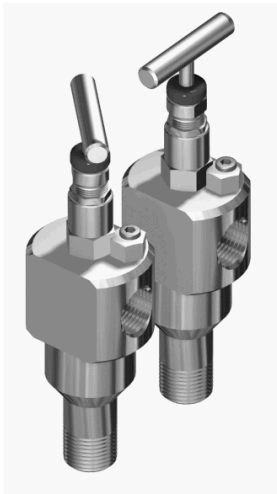


'NSOR Orifice NEEDLE VALVES

NSOR

6,000 psi [Pn 408] Rated

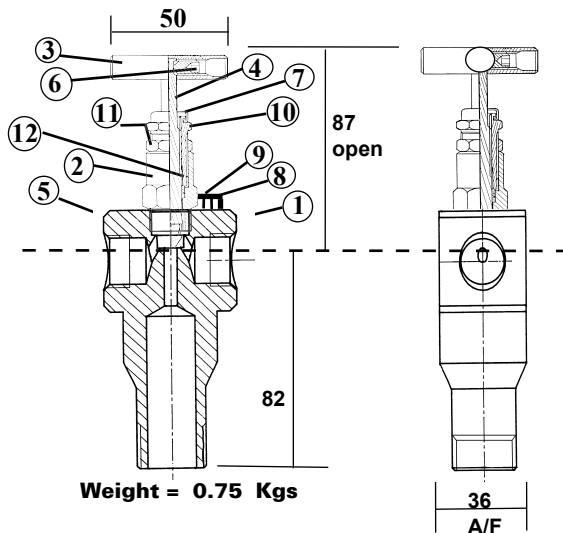
10,000 psi [Pn 680] Rated



DESIGN FEATURES

- * Robust HIGH pressure design
- * DESIGNED to be maintained
- * Two piece stem with NON-Rotating tip
- * TIP Hardened for effective shut-off and life
- * Low operating torque
- * Smooth 4 turns from OPEN to CLOSE
- * Back sealing on the stem
- * 316 ss to NACE Specification
- * Wide range of thread forms available
- * Compact size
- * Adjustable gland packing
- * Designed to fit on 54mm Centres
- * Full material traceability
- * Stem Seal below actuating threads to prevent contamination & gauling of threads
- * Metal/Metal bonnet seal for pressure tightness even at elevated temperatures

MATERIALS of CONSTRUCTION - 316 Stainless Steel



ITEM	COMPONENT	MATERIAL
1	BODY	316 S 11 *
2	BONNET HOUSING	316 S 11 *
3	HANDLE	316 S 11
4	STEM	316 S 11
5	STEM TIP	17 / 4 PH
6	GRUB SCREW	STAINLESS STEEL
7	DUST CAP	PVC
8	RETAINING CAM	STAINLESS STEEL
9	RETAINING SCREW	STAINLESS STEEL
10	GLAND ADJUSTER	316 S 11
11	LOCK NUT	316 S 11
12	GLAND PACKING	PTFE / GRAPHOIL
13	BONNET GASKET	316 S 11
14	BONNET SEAL	PTFE

Sample Part Number **NSORP0508NFS**

1/2" NPT 316 St. St. Orifice Valve 5mm Bore - 6,000 psi/Pn 408 Rated.

VALVE PART NUMBER and ORDERING TABLE					
Valve Series	Bore	Size	Threads	* Material	Options
NSORP 6,000 psi/Pn408	05	08 - 1/4"	NF- NPT [F] NM- NPT [M] PF - BSPP [F] PM- BSPP [M] TF- BSPT [F] TM- BSPT [M] SW - Socket Weld Ends B* - Butt Weld Ends	C - C/Steel D - 31803Duplex M - Monel S - 316 SS	AT - Anti Tamper G - Graphoil HW - 316ss Hand- TG - Tagging TM - Metering tip
		10 - 3/8"			
		15 - 1/2"			
NSORX 10,000 psi/Pn680	20 - 3/4"				

We reserve the right to change specifications stated in this leaflet due to our continuing programme of development.
All valves have 'T' Bar handle as standard.

Colson
Industries Ltd

Website: www.colson.co.uk

e-mail: sales@colson.co.uk



Certificate No LRQ 0960294
ISO 9001 Registered

NSOR - 01/08

Park Works, Park Road, ELLAND
West Yorkshire. HX5 9HN - England

Tel +44 (0) 845 094 3780
Fax +44 (0) 845 094 3790