

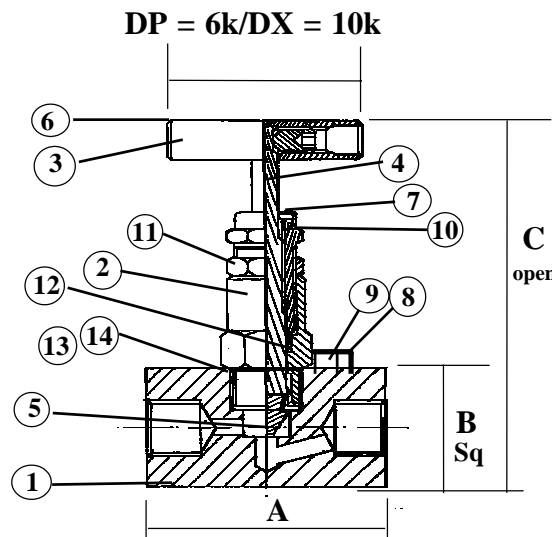
'NS' Series NEEDLE VALVES**6,000 psi [Pn 408] Rated 10,000 psi [Pn 680] Rated**

DESIGN FEATURES



- * Robust HIGH pressure design
- * DESIGNED to be maintained
- * Two piece stem with NON-Rotating tip
- * TIP Hardened for effective shut-off and life
- * Low operating torque
- * Smooth 4 turns from OPEN to CLOSE
- * Back sealing on the stem
- * 316 ss to NACE Specification
- * Wide range of thread forms available
- * Compact size
- * Adjustable gland packing
- * Panel mounting option
- * Full material traceability
- * Stem Seal below actuating threads to prevent contamination & gauling of threads
- * Metal/Metal bonnet seal for pressure tightness even at elevated temperatures

MATERIALS of CONSTRUCTION - 316 Stainless Steel



DP = 6k/DX = 10k

ITEM	COMPONENT	MATERIAL
1	BODY	316 S 11 *
2	BONNET HOUSING	316 S 11 *
3	HANDLE	316 S 11
4	STEM	316 S 11
5	STEM TIP	17 / 4 PH
6	GRUB SCREW	STAINLESS STEEL
7	DUST CAP	PVC
8	RETAINING CAM	STAINLESS STEEL
9	RETAINING SCREW	STAINLESS STEEL
10	GLAND ADJUSTER	316 S 11
11	LOCK NUT	316 S 11
12	GLAND PACKING	PTFE / GRAPHOIL
13	BONNET GASKET	316 S 11
14	BONNET SEAL	PTFE

Valve Size	A	B	C	DP	DX	Wt Kgs
08-1/4"	45	25	92	50	60	0.35
10-3/8"	50	25	92	50	60	0.35
15-1/2"	60	28	95	50	60	0.40
20-3/4"	65	38	128	60	60	0.80
25-1"	75	45	135	60	60	1.10

'A' dimension is + 5mm for Male/Female Valves

Sample Part Number **NS2SP0508NFS**

1/4" NPT 316 St. St. Needle Valve, 5mm Bore - 6,000 psi/Pn 408 Rated.

VALVE PART NUMBER and ORDERING TABLE						
Valve Series	Bore	Size	Threads	* Material	Options	
NS2SP 6,000 psi/Pn408	05	08 - 1/4"	NF- NPT [F] NM- NPT [M] PF - BSPP [F]	A - Ali-Bronze C - C/Steel D - 31803 Duplex H - Hasteloy I - Incoloy J - 6Mo M - Monel S - 316 SS T - Titanium U - 32760 S.Duplex	AT- Anti-tamper	
		10 - 3/8"	PM- BSPP [M] TF- BSPT [F]		TG - Tagging	
		15 - 1/2"	TM- BSPT [M] C1 - SINGLE FERRULE C2 - TWIN FERRULE		TM - Metering tip G - Graphoil	
NS2SX 10,000 psi/Pn680	08	20 - 3/4"	SW - Socket Weld Ends		VD -Vent Facility	
		25 - 1"	B* - Butt Weld Ends		HW - Handwheel PM - Panel Mounting	

We reserve the right to change specifications stated in this leaflet due to our continuing programme of development. All valves have 'T' Bar handle as standard.

NS2S - 01/08

Colson
Industries Ltd

Website: www.colson.co.uke-mail: sales@colson.co.ukCertificate No L RQ 0960294
ISO 9001 RegisteredPark Works, Park Road, ELLAND
West Yorkshire. HX5 9HN - EnglandTel +44 (0) 845 094 3780
Fax +44 (0) 845 094 3790