

'NP' Series PLUG VALVES

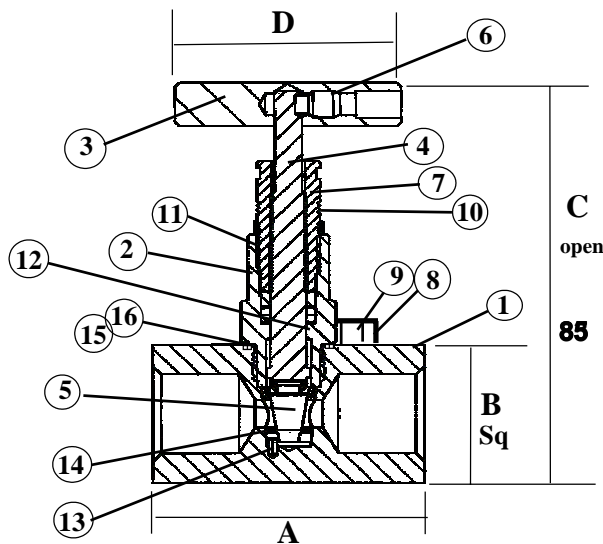
6,000 psi [Pn 408] Rated

DESIGN FEATURES

- * Robust HIGH pressure design
- * DESIGNED to be maintained - replacable seat
- * Two piece stem with NON-Rotating tip
- * Straight Through Flow - Rodable
- * Low operating torque
- * Smooth 5 turns - Full OPEN to CLOSED
- * Back sealing on the stem
- * 316 ss to NACE Specification
- * Wide range of thread forms available
- * Compact size
- * Adjustable gland packing
- * Panel mounting option
- * Full material traceability
- * Stem Seal below actuating threads to prevent contamination & gauling of threads
- * Metal/Metal bonnet seal for pressure tightness even at elevated temperatures



MATERIALS of CONSTRUCTION - 316 Stainless Steel



| ITEM | COMPONENT | MATERIAL |
|------|-----------------|-----------------|
| 1 | BODY | 316 S 11 |
| 2 | BONNET HOUSING | 316 S 11 |
| 3 | HANDLE | 316 S 11 |
| 4 | STEM | 316 S 11 |
| 5 | PLUG TIP | 316 S 11 |
| 6 | GRUB SCREW | STAINLESS STEEL |
| 7 | DUST CAP | PVC |
| 8 | RETAINING CAM | STAINLESS STEEL |
| 9 | RETAINING SCREW | STAINLESS STEEL |
| 10 | GLAND ADJUSTER | 316 S 11 |
| 11 | LOCK NUT | 316 S 11 |
| 12 | GLAND PACKING | PTFE |
| 13 | SEAT PIN | 316 S 11 |
| 14 | PLUG SEAT | DELRIN |
| 15 | BONNET GASKET | 316 S 11 |
| 16 | BONNET SEAL | V PTFE |

| Valve Size | A | B | C | D | Wt Kgs |
|------------|----|----|----|----|--------|
| 08-1/4" | 45 | 32 | 98 | 50 | 0.35 |
| 10-3/8" | 50 | 32 | 98 | 50 | 0.38 |
| 15-1/2" | 60 | 32 | 98 | 50 | 0.40 |

Sample Part Number

1/2" NPT 316 St. St. Plug Valve, 6mm Bore - 6,000 psi/Pn 408 Rated.

| VALVE PART NUMBER and ORDERING TABLE | | | | | |
|--------------------------------------|------|-----------|-------------------------------|--|--|
| Valve Series | Bore | Size | Threads | * Material | Options |
| NP2SP 6,000 psi/Pn408 | 06 | 08 - 1/4" | NF- NPT [F] NM- NPT [M] | A - Ali-Bronze C - C/Steel D - 31803 Duplex H - Hasteloy I - Incoloy J - 6Mo M - Monel S - 316 SS T - Titanium U - 32760 S.Duplex | AT - Anti-Tamper Tg - Tagging G - Graphoil Hw - 316ss Handwheel |
| | | 10 - 3/8" | PF - BSPP [F] PM- BSPP [M] | | |
| | | 15 - 1/2" | TF- BSPT [F] TM- BSPT [M] | | |
| | | 20 - 3/4" | | | |

We reserve the right to change specifications stated in this leaflet due to our continuing programme of development.
All valves have 'T' Bar handle as standard.

NP2S 01/08

Colson
Industries Ltd

Website: www.colson.co.uk

e-mail: sales@colson.co.uk



Certificate No L RQ 0960294
ISO 9001 Registered

Park Works, Park Road, ELLAND
West Yorkshire. HX5 9HN - England

Tel +44 (0) 845 094 3780
Fax +44 (0) 845 094 3790