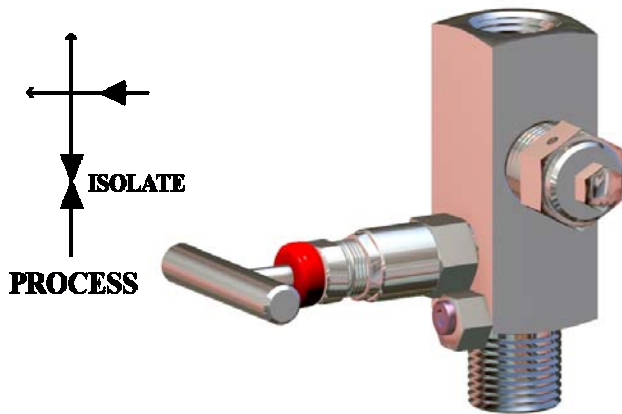


# NSG 'NSG' Series NEEDLE VALVES

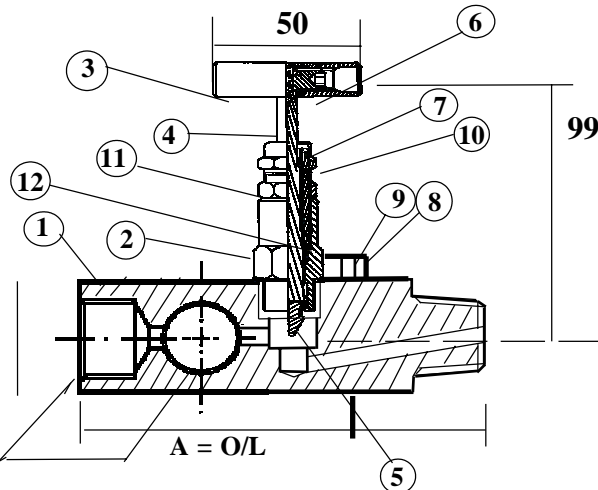
6,000 psi [Pn 408] Rated 10,000 psi [Pn 680] Rated



## DESIGN FEATURES

- \* Robust HIGH pressure design
- \* DESIGNED to be maintained
- \* Two piece stem with NON-Rotating tip
- \* TIP Hardened for effective shut-off and life
- \* Low operating torque
- \* Smooth 4 turns from OPEN to CLOSE
- \* Back sealing on the stem
- \* 316 ss to NACE Specification
- \* Wide range of thread forms available
- \* 3 Outlet Ports for Gauge, Vent & Calibrate
- \* Adjustable gland packing
- \* Full material traceability
- \* Stem Seal below actuating threads to prevent contamination & gauling of threads
- \* Metal/Metal bonnet seal for pressure tightness even at elevated temperatures
- \* Venting and Blank Plugs supplied as standard

## MATERIALS of CONSTRUCTION - 316 Stainless Steel



ITEM	COMPONENT	MATERIAL
1	BODY	316 S 11 *
2	BONNET HOUSING	316 S 11 *
3	HANDLE	316 S 11
4	STEM	316 S 11
5	STEM TIP	17 / 4 PH
6	GRUB SCREW	STAINLESS STEEL
7	DUST CAP	PVC
8	RETAINING CAM	STAINLESS STEEL
9	RETAINING SCREW	STAINLESS STEEL
10	GLAND ADJUSTER	316 S 11
11	LOCK NUT	316 S 11
12	GLAND PACKING	PTFE / GRAPHOIL
13	BONNET GASKET	316 S 11
14	BONNET SEAL	PTFE

3 x 1/2" NPT Alternative Dims :- A=95, B=32  
 3 x 1/4" NPT Outlets Dims :- A=83, B=28

### Sample Part Number NSGSP0515NM15NFS

1/2" NPT Male Inlet x 3 - 1/2" NPT Female Outlets 316 St. St. Gauge Valve, 5mm Bore - 6,000 psi/Pn 408 Rated.

VALVE PART NUMBER and ORDERING TABLE					
Valve Series	Bore	Size	Threads	* Material	Options
NSGSP 6,000 psi/Pn408	05	08 - 1/4"	NF- NPT [F] NM- NPT [M]	A - Ali-Bronze C - C/Steel D - 31803 Duplex H - Hasteloy I - Incoloy J - 6Mo M - Monel S - 316 SS T - Titanium U - 32760 S.Duplex	G - Graphoil HW - Handwheel AT - Anti-Tamper TG - Tagging TM - Metering tip
NSGSX 10,000 psi/Pn680		10 - 3/8"	PF - BSPP [F] PM- BSPP [M]		
		15 - 1/2"	TF- BSPT [F] TM- BSPT [M] SW - Socket Weld Ends B* - Butt weld Ends		
		20 - 3/4"			

We reserve the right to change specifications stated in this leaflet due to our continuing programme of development. All valves have 'T' Bar handle as standard.



Website: [www.colson.co.uk](http://www.colson.co.uk)

e-mail: [sales@colson.co.uk](mailto:sales@colson.co.uk)



Certificate No L RQ 0960294  
ISO 9001 Registered

NSG -01/08

Park Works, Park Road, ELLAND  
West Yorkshire. HX5 9HN - England

Tel +44 (0) 845 094 3780  
Fax +44 (0) 845 094 3790