

'NF2B' Series FLOW VALVE

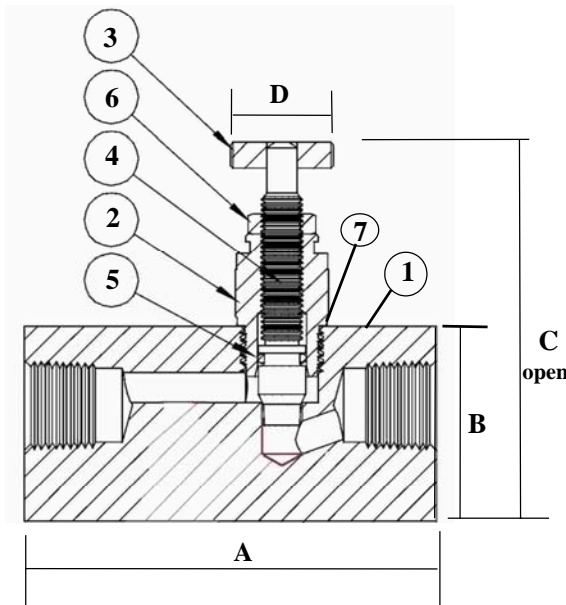
6,000 psi [Pn 408] Rated 10,000 psi [Pn 680] Rated

DESIGN FEATURES

- * Flow control valve with larger orifice
- * Robust HIGH pressure design
- * DESIGNED to be maintenance free
- * Hard TIP for effective shut-off and life
- * Low operating torque
- * Smooth 5 turns from OPEN to CLOSE
- * Back sealing on the stem
- * 316ss to NACE Specification
- * Wide range of thread forms available
- * Full material traceability
- * Stem Seal below actuating threads to prevent
 - . contamination & gauling of threads
- * Metal/Metal bonnet seal for pressure tightness
 - . even at elevated temperatures



MATERIALS of CONSTRUCTION - 316 Stainless Steel



ITEM	COMPONENT	MATERIAL
1	BODY	316 S 11 *
2	BONNET HOUSING	316 S 11 *
3	HANDWHEEL	316 S 11
4	STEM/TIP	17 - 4 PH
5	STEM SEAL	Viton
6	LOCK NUT	STAINLESS STEEL
7	BONNET GASKET	STAINLESS STEEL

Valve Size	A	B	C	D	Wt Kgs
08-1/4"	80	38x25	31	20Ø	0.52
10-3/8"	80	38x25	31	20Ø	0.52
15-1/2"	80	38x25	31	25Ø	0.55

Sample Part Number

3/8" NPT Female 316ss Control Flow & Return Valve, 6mm Bore - 6,000 psi/Pn 408 Rated.

VALVE PART NUMBER and ORDERING TABLE					
Valve Series	Bore Size	Size	Inlet/Outlet Threads	* Material	Handle
NF2BP 6,000 psi/Pn408	06	08 - 1/4"	NF -NPT Female NM -NPT Male	D- 31803 J - 6Mo M - Monel S - 316 SS T - Titanium U - 32760 S. Duplex	Handwheel
NF2BX 10,000 psi/Pn680		10 - 3/8"	PF -BSPP Female PM-BSPP Male		
	15 - 1/2"	TF -BSPT Female TM -BSPT Male			

We reserve the right to change specifications stated in this leaflet due to our continuing programme of development. Valves are supplied as standard with Hand wheel.

NF2B-01/08

Colson
Industries Ltd

Website: www.colson.co.uk

e-mail: sales@colson.co.uk



Certificate No L R Q 0960294
ISO 9001 Registered

Park Works, Park Road, ELLAND
West Yorkshire. HX5 9HN - England

Tel +44 (0) 845 094 3780
Fax +44 (0) 845 094 3790