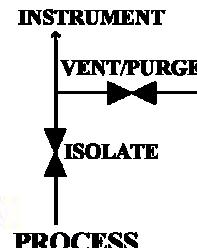


'MS2I' Series 2 Valve In-Line **NEEDLE VALVE**

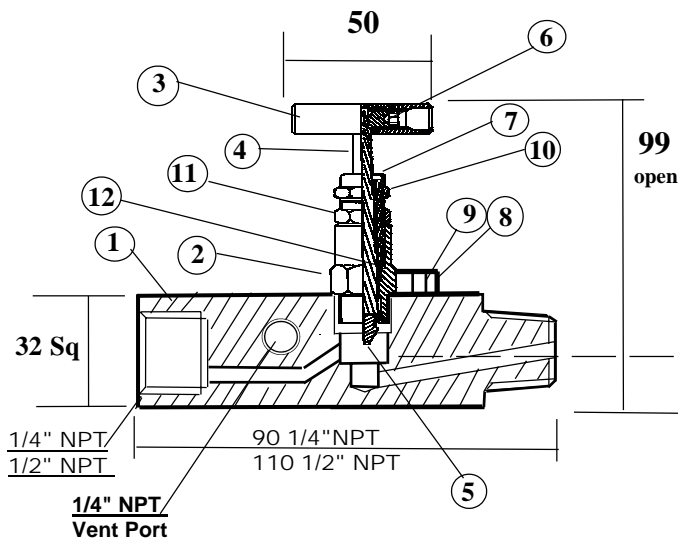
6,000 psi [Pn 408] Rated 10,000 psi [Pn 680] Rated

DESIGN FEATURES

- * Robust HIGH pressure design
- * DESIGNED to be maintained
- * NON-Rotating tip as standard
- * TIP Hardened for effective shut-off and life
- * Low operating torque
- * Smooth 5turns from OPEN to CLOSE
- * Back sealing on the stem
- * 316 ss to NACE Specification
- * Wide range of thread forms available
- * Adjustable gland packing
- * TOP Sealing Bonnet
- * Full material traceability
- * Stem Seal below actuating threads to prevent contamination & gauling of threads
- * Metal/Metal bonnet seal for pressure tightness even at elevated temperatures
- * Venting and Pressure Plugs as standard



MATERIALS of CONSTRUCTION - 316 Stainless Steel



ITEM	COMPONENT	MATERIAL
1	BODY	316 S 11 *
2	BONNET HOUSING	316 S 11 *
3	HANDLE	316 S 11
4	STEM	316 S 11
5	STEM TIP	17 / 4 PH
6	GRUB SCREW	STAINLESS STEEL
7	DUST CAP	PVC
8	RETAINING CAM	STAINLESS STEEL
9	RETAINING SCREW	STAINLESS STEEL
10	GLAND ADJUSTER	316 S 11
11	LOCK NUT	316 S 11
12	GLAND PACKING	PTFE / GRAPHOIL

Sample Part Number- MS2IP0515NM15NF1S

1/2" NPT Male Inlet x 1/2" npt Female OUTLET, 316 St. St. Block & Bleed Needle Valve 5mm Bore -6,000 psi/Pn 408 Rated, fitted Standard Bonnet. 1/4" NPT Vent Port.

VALVE PART NUMBER and ORDERING TABLE						
Valve Series	Orifice	Size	Threads	Vent	* Material	Options
MS2IP 6,000 psi/Pn408	05	08 - 1/4"	NF - NPT-female	0=No Vent	A - Ali-Bronze D - Duplex SS H - Hasteloy I - Incoloy M - Monel S - 316 SS	AT - AntiTamper G - Graphoil HW - Handwheel-316 Tg - Tagging Tf - Soft Tip [PEEK] Tk - Soft Tip [PVDF]
MS2IX 10,000 psi/Pn680		15 - 1/2"	PF - BSPP-female TF - BSPT-female	1=1/4"NPT 2=1/4"BSPP 3=1/2"NPT 4=1/2"BSPP		

We reserve the right to change specifications stated in this leaflet due to our continuing programme of development. All valves have 'T' Bar handle as standard.



Website: www.colson.co.uk

e-mail: sales@colson.co.uk



Certificate No L R Q 0960294
ISO 9001 Registered

MS2I-01/08

Park Works, Park Road, ELLAND
West Yorkshire. HX5 9HN - England

Tel +44 (0) 845 094 3780
Fax +44 (0) 845 094 3790