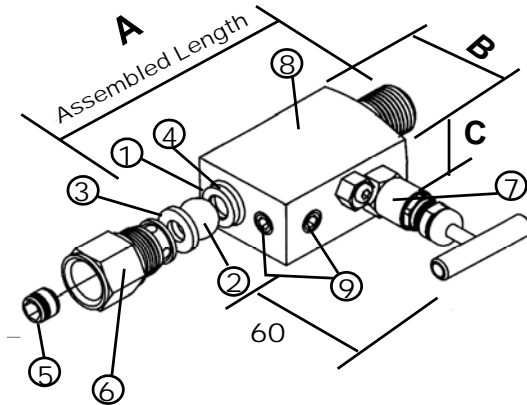


CVC

'CVC' Series Velocity Check Valve**6,000 psi [Pn 408] Rated 10,000 psi [Pn 680] Rated**

DESIGN FEATURES

- * Is used on Flow lines to prevent loss of .
- . media caused by burst hoses or failed
- . connections
- * Soft seal for bubble tight closing
- * Prevents reverse flow in circuits
- * Low pressure differential to effect seal
- * Stainless Steel spring for long life
- * Large bore for improved flow through
- . the valve
- * Choice of thread forms
- * Versatile design for Male/Female
- . or compression ends

MATERIALS of CONSTRUCTION - 316 Stainless Steel

Valve Weight is 0.85 Kgs

ITEM	COMPONENT	MATERIAL
1	FRONT SEAL	RTFE
2	BALL	316 S 11 *
3	REAR SEAL	RTFE
4	SPRING	316 S 11 *
5	ADJUSTER	316 S 11 *
6	END CAP	316 S 11 *
7	SNV HEAD Assy	316 S 11 *
8	BODY	316 S 11 *
9	PORT PLUGS	Stainless Steel

A1=O/Length for M/F versions
D = Cracking Pressure - psi/Bar

Valve Size	A	A1	B	C	D	E	Wt Kgs
15-1/2"	100	124	50	32	4/0.27	60	0.35

Sample Part Number CVCSP1015NFS

1/2" NPT 316 St. St. Velocity Check Valve, 10mm Bore - 6,000 psi/Pn 408 Rated

VALVE PART NUMBER and ORDERING TABLE						
Valve Series	Bore	Size	Threads	* Material	Options	
CVCSP 6,000psi/Pn408	10	15-1/2"	NF - NPT Female	A - Ali-Bronze D - 31803 Duplex U - 32760 S.Duplex H - Hasteloy I - Incoloy J - 6Mo M - Monel		
CVCSX 10,000psi/Pn680			NM - NPT Male PF - BSPP Female PM - BSPP Male TF - BSPT Female TF - BSPT Male			

We reserve the right to change specifications stated in this leaflet due to our continuing programme of development.

Colson
Industries Ltd

Website: www.colson.co.uke-mail: sales@colson.co.ukCertificate No LRQ 0960294
ISO 9001 RegisteredPark Works, Park Road,
ELLAND, West Yorkshire.
HX5 9HN - EnglandTel +44 (0) 845 094 3780
Fax +44 (0) 845 094 3790