

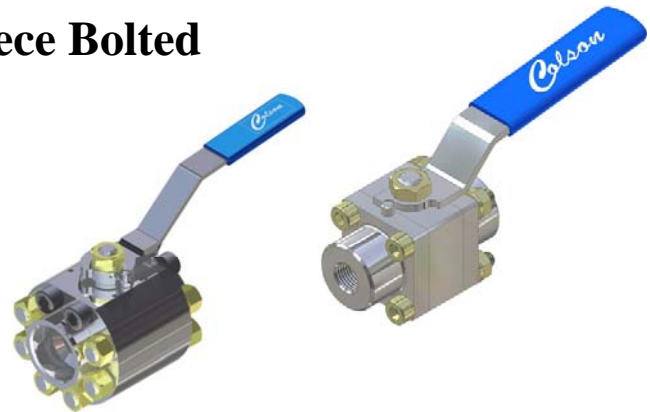
'BW' Series BALL VALVES

1,500 psi [Pn 103] Rated 3,500 psi [Pn 241] Rated
'BWRP' Series 6,000psi [Pn414] Rated

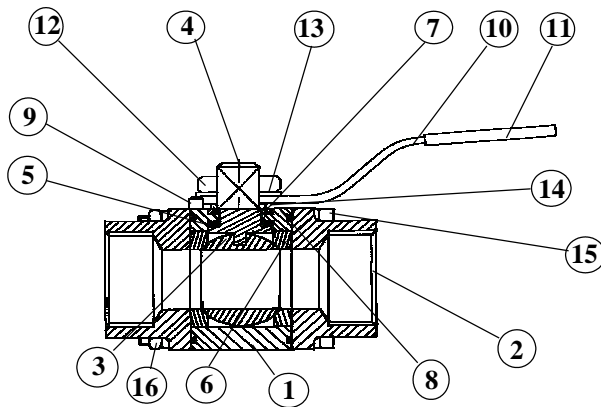
DESIGN FEATURES

3 Piece Bolted

- * Robust HIGH pressure design
- * Internally loaded blow-out proof stem
- * Floating ball for positive shut-off
- * LOW operating torque
- * Smooth 1/4 turn action
- * Flexible 3 piece design
- * 316 ss to NACE specification
- * Wide range of end flange types
- * Replaceable seats & seals
- * Ease of maintenance
- * Full material traceability
- * Can be easily actuated
- * Locking kit available



MATERIALS of CONSTRUCTION - 316 Stainless Steel



ITEM	COMPONENT	MATERIAL
1	BODY	316 S 11 *
2	END FLANGE	316 S 11 *
3	BALL	316 S 11 *
4	STEM	316 S 11 *
5	STEM SEAL	RTFE
6	SEATS	PTFE / PVDF
7	TOP SEAL	RTFE
8	BODY SEAL	PTFE
9	PIN	STAINLESS STEEL
10	LEVER HANDLE	STAINLESS STEEL
11	HANDLE SLEEVE	PVC
12	NUT	A4 ss
13	WASHER	A4 ss
14	SPACER	316 SS
15	BOLT	A4 ss
16	NUT	A4 ss

Sample Part Number BWSB1015NFS

1/2" NPT 316 St. St. Ball Valve, 10mm Bore - 1500 psi/Pn 103 Rated fitted with Lever handle

VALVE PART NUMBER and ORDERING TABLE

Valve Series	Bore	Size	Threads/ End Style	* Material	Options
BWSB 1,500 psi/Pn103	10	08 - 1/4"	NF - NPT Female PF - BSPP Female TF - BSPT Female SW - Socket Weld B* - Butt Weld	A - Ali-Bronze D - 31803 Duplex H - Hasteloy I - Incoloy J - 6MO L - LF2 M - Monel S - 316 SS T - Titanium U - 32760 S.Duplex	-LK Locking Kit -ACT Actuator use -SR Spring Return -DA Double Acting -EA Electric
		10 - 3/8"			
		15 - 1/2"			
BWST 3,500 psi/Pn241	13 19 25	20 - 3/4"			
		25 - 1"			
		32 - 1 1/4"			
BWRP 6,000 psi/Pn414	32 38 50	40 - 1 1/2"			
		50 - 2"			
		65 - 2 1/2"			

Valve Part Number for FULL BORE - USE BORE size equal to thread size e.g. BWSB1925NFS becomes BWSB2525NFS
 All Valves have Stainless Steel Lever Handles as standard. For BUTT Weld ends Specify Schedule- see Table on Index Sheet.

BWSeries - 09/09



Website: www.colson.co.uk

e-mail: sales@colson.co.uk



Certificate No L RQ 0960294
 ISO 9001 Registered

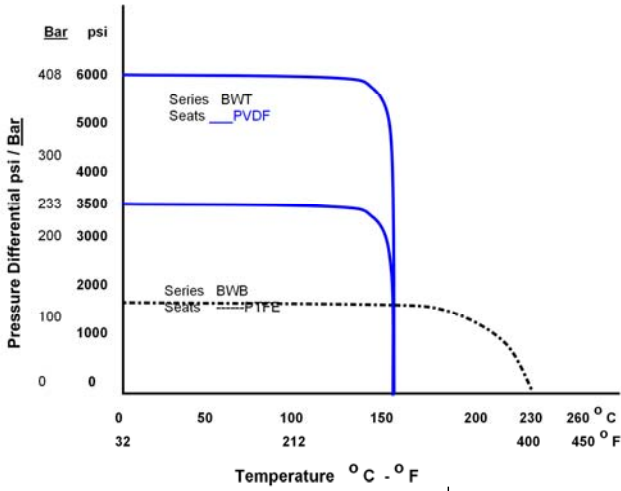
Park Works, Park Road,
 ELLAND, West Yorkshire.
 HX5 9HN - England

Tel +44 (0) 845 094 3780
 Fax +44 (0) 845 094 3790

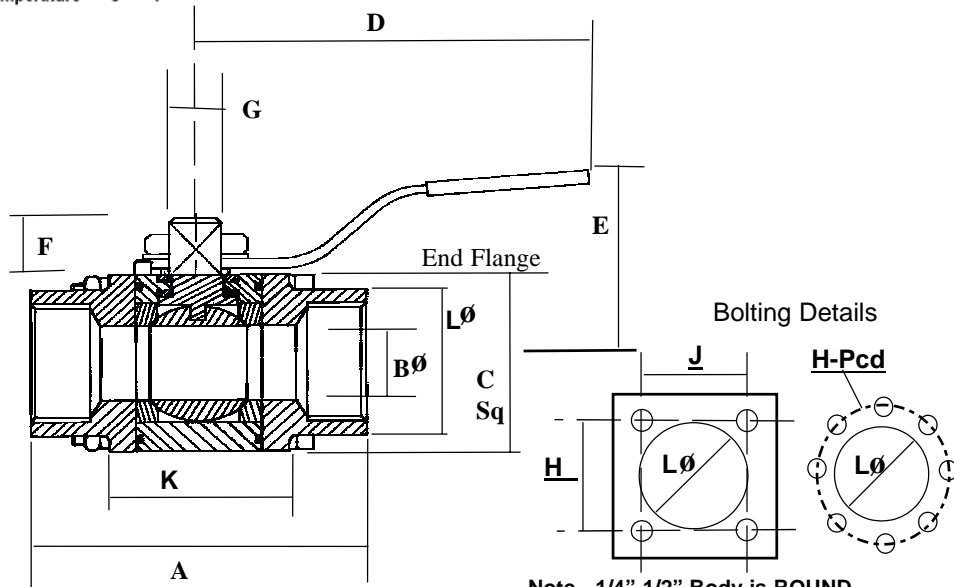
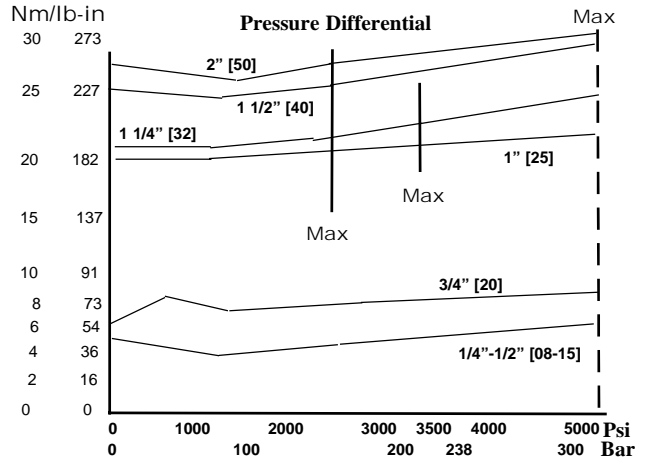
'BW' Series BALL VALVES

TECHNICAL SPECIFICATIONS SHEET

PRESSURE/TEMPERATURE GRAPH



TORQUE INFORMATION



Note - 1/4"-1/2" Body is ROUND

Valve Size	A	BØ	C Sq	D	E	F	G Øx A/F	Bolting Details [Rounded for clarity]					WEIGHT Kgs	
								H	J	K	LØ	Ø		Length
08 - 1/4"	68	10	38	115	45	13	3/8"-7.0	29	29	34	29	M 6	40	0.40
10 - 3/8"	68	10	38	115	45	13	3/8"-7.0	29	29	34	29	M 6	40	0.40
15 - 1/2"	68	10	38	115	45	13	3/8"-7.0	29	29	34	29	M 6	40	0.50
20 - 3/4"	70	12.7	44.5	115	50	12	3/8"-7.0	30.4	30.4	34	32	M 6	45	0.75
25 - 1"	101	20	50	165	60	27	12 x 9.0	39.4	39.4	51	40	M 8	60	1.55
32-1 1/4"	100	25	63.	165	65	24	12 x 9.0	45	45	58	51	M 8	70	2.50
40-1 1/2"	118	32	75	165	70	23	3/4"x14	61	61	74	66	M 10	90	3.3
50 - 2"	130	40	89	165	74	25	3/4"x14	65.5	65.5	84	72	M 10	100	5.9
65-2 1/2"														

We reserve the right to change specifications stated in this leaflet due to our continuing programme of development. For FULL BORE Valves, use the dimensions of the next larger size. ie 1 1/4" Full Bore use 1 1/2" Dimensions. Valve seats are tested at 10% above rated pressure [BS EN12266-1]. Using any higher test pressure will damage the seats. Use the valve half open on system tests above seat rated pressures. Dimensions are the same for all pressure rating

BWseries- 09/09



Website: www.colson.co.uk

e-mail: sales@colson.co.uk



Certificate No LQR 0960294
ISO 9001 Registered

Park Works, Park Road,
ELLAND, West Yorkshire.
HX5 9HN - England

Tel +44 (0) 845 094 3780
Fax +44 (0) 845 094 3790