

'BL' SERIES BALL VALVES

1,000 psi [Pn 68] Rated 2,000 psi [Pn136] Rated

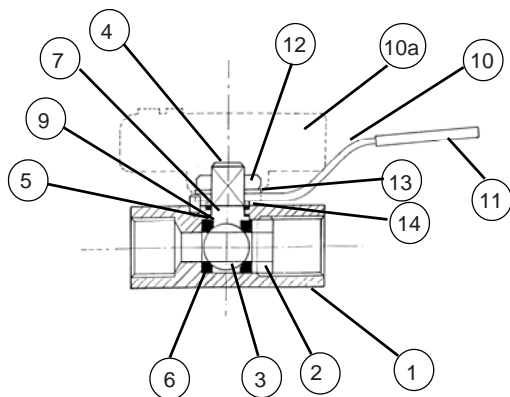
DESIGN FEATURES

- * Robust one piece design
- * Internally loaded Blow-out proof stem
- * Floating ball for positive shut-off
- * Low operating torque
- * Smooth 1/4 turn action
- * 316 ss to NACE Specification
- * Different end connections available
- * Maintenance free
- * Full material traceability
- * Choice of Lever or Pointer Handles
- * Designed for economy
- * Locking Kit available



One Piece

MATERIALS of CONSTRUCTION - 316 Stainless Steel



ITEM	COMPONENT	MATERIAL
1	BODY	316 S 11
2	INSERT	316 S 11
3	BALL	316 S 11
4	STEM	316 S 11
5	STEM SEAL	RTFE
6	SEATS	PTFE / RTFE
7	TOP SEAL	RTFE
8	N/A	STAINLESS STEEL
9	PIN	STAINLESS STEEL
10	LEVER HANDLE	STAINLESS STEEL
10a	POINTER HANDLE	MAZAK 3- Coated
11	HANDLE SLEEVE	PVC
12	NUT	A4 ss
13	WASHER	A4 ss
14	SPACER	316 SS

Sample Part Number BLHA1015NFS

1/2" NPT 316 St. St. Ball Valve, 10mm Bore - 1,000 psi Pn 68 Rated fitted with Lever Handle.

VALVE PART NUMBER and ORDERING TABLE						
Valve Series	Bore	Size	Threads	Material	Handle	Options
BLHA 1,000 psi/Pn68	10	08 - 1/4"	NF - NPT Female NM - NPT Male PF - BSPP Female PM - BSPP Male	A - Ali-Bronze C - C/Steel D - 31803 Duplex H - Hasteloy M - Monel S - 316 SS U - 32760 S.Duplex	-PH Pointer Handle	-Lk Locking
		10 - 3/8"				
		15 - 1/2"				
BLHR 2,000 psi/Pn136	13	20 - 3/4"	TF - BSPT Female TM - BSPT Male		-TH StSt 'T' Handle	
		25 - 1"				
		40 - 1 1/2"				
		50 - 2"				

All valves have Stainless Steel Lever Handles as Standard.

BLseries 01/08

Colson
Industries Ltd

Website: www.colson.co.uk

e-mail: sales@colson.co.uk



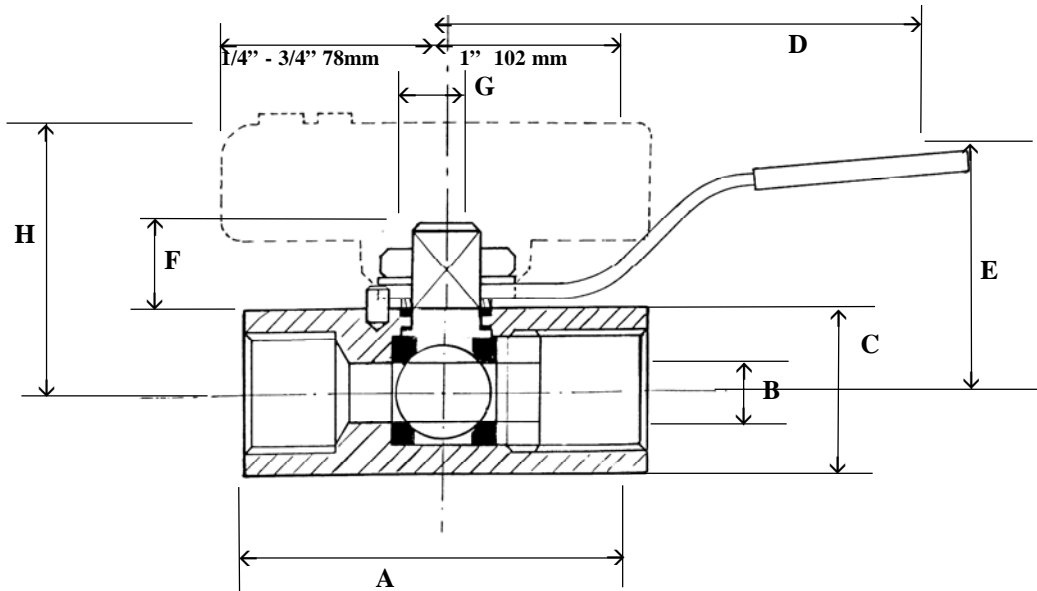
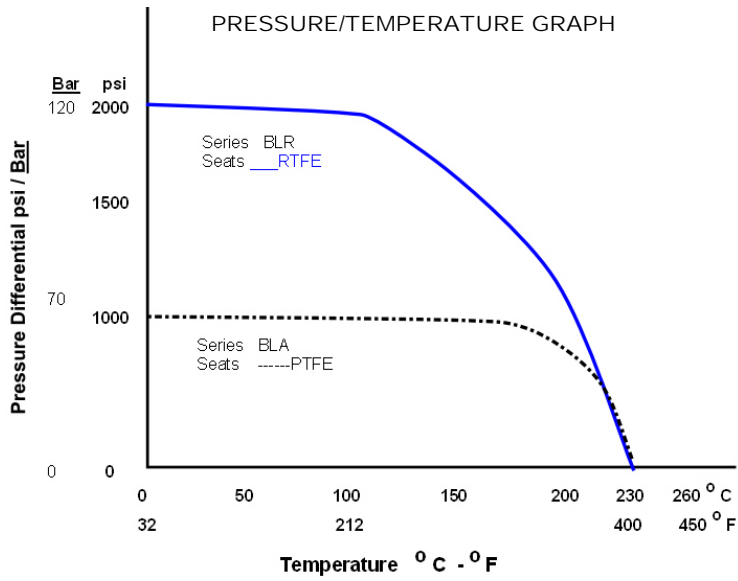
Certificate No LRQ 0960294
ISO 9001 Registered

Park Works, Park Road,
ELLAND, West Yorkshire.
HX5 9HN - England

Tel +44 (0) 845 094 3780
Fax +44 (0) 845 094 3790

'BL' Series BALL VALVES

TECHNICAL SPECIFICATIONS SHEET



Valve Size	VALVE SIZES and DIMENSION TABLE [mm] Rounded for clarity								WEIGHT · Kgs
	A	B Ø	C A/F	D	E	F	G Øx A/F	H	
08 - 1/4"	70	10	28	115	43	18	3/8"- 7.0	47	0.35
10 - 3/8"	70	10	28	115	43	18	3/8"- 7.0	47	0.35
15 - 1/2"	70	10	28	115	43	18	3/8"- 7.0	47	0.35
20 - 3/4"	75	12.7	32	115	45	18	3/8"- 7.0	49	0.57
25 - 1"	90	16	38	115	50	18	3/8"- 7.0	52	0.67
40 - 1 1/2"	100	25	60 Ø	165	65	25	12 x 9.0	-	1.30
50 - 2"	110	32	70 Ø	165	65	23	3/4"x14.0	-	2.25

We reserve the right to change specifications in this leaflet due to our continuing programme of development. Valve seats are tested at 10% above rated pressure [BS EN12266-1]. Using any higher test pressure will damage the seats. Use the valve half open on system tests above rated seat pressure.

BLSeries - 01/08



Website: www.colson.co.uk

e-mail: sales@colson.co.uk



Certificate No L R Q 0960294
ISO 9001 Registered

Park Works, Park Road,
ELLAND, West Yorkshire,
HX5 9HN - England

Tel +44 (0) 845 094 3780
Fax +44 (0) 845 094 3790