

'BH' Series BALL VALVES

1,000 psi [Pn 69] Rated 6,000 psi [Pn 414] Rated

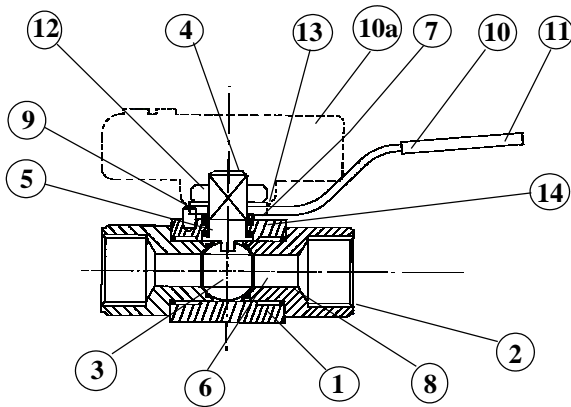
DESIGN FEATURES

- * Robust HIGH pressure design
- * Internally loaded blow-out proof stem
- * Floating ball for positive shut-off
- * LOW operating torque
- * Smooth 1/4 turn action
- * Flexible 3 piece design
- * 316 ss to NACE specification
- * Wide range of end connections
- * Replaceable seats & seals
- * Ease of maintenance
- * Full material traceability
- * Choice of lever or pointer handles
- * Panel mounting option
- * Can be easily actuated
- * Locking kit available

3 Piece



MATERIALS of CONSTRUCTION - 316 Stainless Steel



| ITEM | COMPONENT | MATERIAL |
|------|----------------|-----------------|
| 1 | BODY | 316 S 11 * |
| 2 | END CONNECTORS | 316 S 11 * |
| 3 | BALL | 316 S 11 * |
| 4 | STEM | 316 S 11 * |
| 5 | STEM SEAL | RTFE |
| 6 | SEATS | PTFE / PVDF |
| 7 | TOP SEAL | RTFE |
| 8 | BODY SEAL | PTFE |
| 9 | PIN | STAINLESS STEEL |
| 10 | LEVER HANDLE | STAINLESS STEEL |
| 10 | POINTER HANDLE | MAZAK 3 |
| 11 | HANDLE SLEEVE | PVC |
| 12 | NUT | A4 ss |
| 13 | WASHER | A4 ss |
| 14 | SPACER | 316 SS |

Sample Part Number **BHSP1015NFS-LK**

1/2" NPT Female 316 St. St. Ball Valve, 10mm Bore - 6,000 psi/Pn 414 Rated fitted with Lever handle and Locking Kit.

VALVE PART NUMBER and ORDERING TABLE

| Valve Series | Bore | Size | Threads | * Material | Handle | Options |
|---------------------------|----------------------------|-------------|--|--|---|--|
| BHSA 1,000 psi/Pn 69 | 10 | 08 - 1/4" | NF - NPT Female NM - NPT Male PF - BSPP Female PM - BSPP Male TF - BSPT Female TM - BSPT Male | A - Ali-Bronze C - C/Steel D - 31803 Duplex H - Hasteloy I - Incoloy J - 6MO M - Monel S - 316 SS T - Titanium U - 32760 S.Duplex | -PH Pointer -TH StSt 'T' Handle | -SR Spring Return -DA Double Acting -EA Electric -PM Panel Mount -Lk Locking -ACT Actuator use -EP Ends Pinned |
| | | 10 - 3/8" | | | | |
| | | 15 - 1/2" | | | | |
| * BHSP 6,000 psi/Pn414 | 13 19 25 32 38 | 20 - 3/4" | | | | |
| | | 25 - 1" | | | | |
| | | 32 - 1 1/4" | | | | |
| | | 40 - 1 1/2" | | | | |
| | | 50 - 2" | | | | |

All Valves have Stainless Steel Lever Handles as standard.

* Note that valves above 1" are downrated i.e. 1 1/4" is 4,000psi, 1 1/2" & 2" are 3,000psi maximum.

Valve Part Number for FULL BORE - USE BORE size equal to thread size e.g. BHSA1925NFS becomes BHSA2525NFS.

BHseries - 09/09

Colson
Industries Ltd

Website: www.colson.co.uk

e-mail: sales@colson.co.uk



Certificate No L RQ 0960294
ISO 9001 Registered

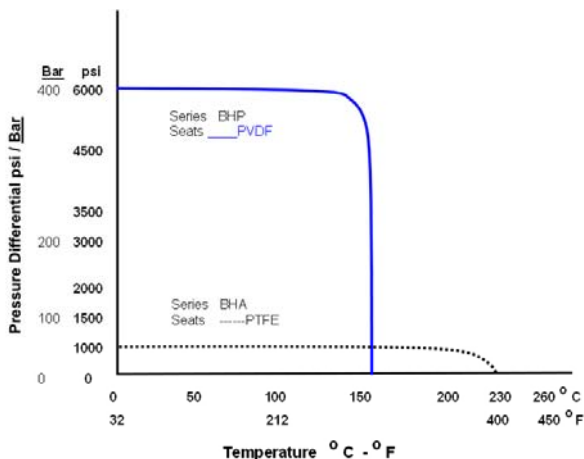
Park Works, Park Road,
ELLAND. West Yorkshire.
HX5 9HN - England

Tel +44 (0) 845 094 3780
Fax +44 (0) 845 094 3790

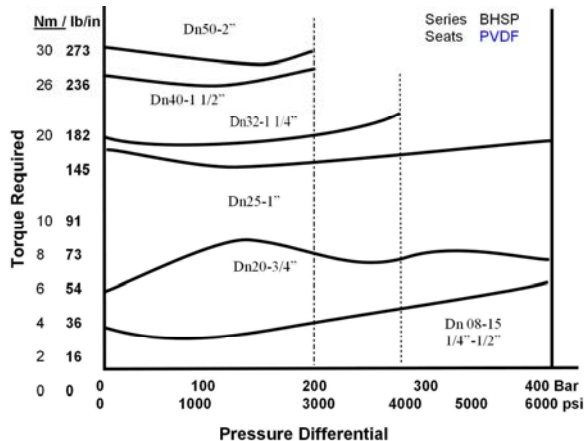
'BH' Series BALL VALVES

TECHNICAL SPECIFICATIONS SHEET

PRESSURE/TEMPERATURE GRAPH

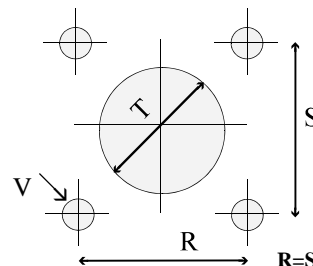
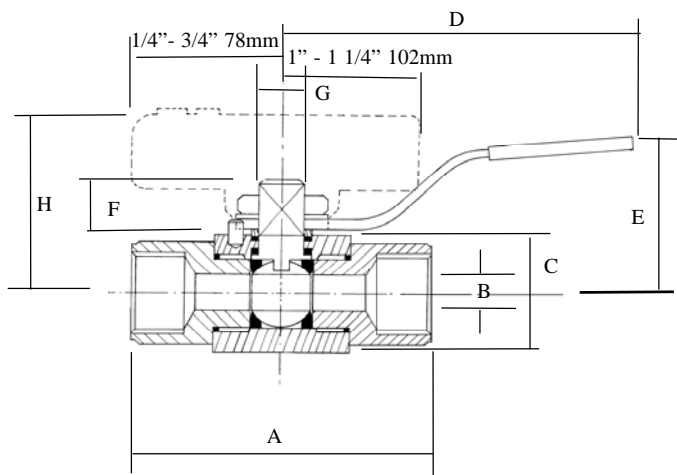


TORQUE INFORMATION



PANEL MOUNT DETAILS *

* Option to be specified when ordering



1/4" - 1/2" VALVES ARE M4 x 6 mm DEEP
 3/4" VALVES ARE M5 x 6 mm DEEP
 1" - 1.1/4" VALVES ARE M6 x 8 mm DEEP
 1.1/2" - 2" VALVES ARE M8 x 8 mm DEEP

| Valve Size | VALVE SIZES and DIMENSION TABLE [Inch Dims rounded for clarity] | | | | | | | | | | | | WEIGHT Kgs | CV US Gpm | |
|------------|---|-------|----------|--------------|-----|----|----|----------------|----|------------------------|-----|----------|---------------|--------------|----------|
| | A | | B ϕ | C Sq | D | E | F | G ϕ x A/F | H | Panel Mount Dimensions | | | | | |
| | BSPP | TAPER | | | | | | | | R & S | ISO | T ϕ | | | V ϕ |
| 08 - 1/4" | 71 | 71 | 10 | 32 | 115 | 45 | 14 | 3/8"-7.0 | 49 | 25.5 | N/A | 30 | 4.5 | 0.45 | 7.5 |
| 10 - 3/8" | 75 | 77 | 10 | 32 | 115 | 45 | 14 | 3/8"-7.0 | 49 | 25.5 | N/A | 30 | 4.5 | 0.46 | 7.5 |
| 15 - 1/2" | 82 | 85 | 10 | 32 | 115 | 45 | 14 | 3/8"-7.0 | 49 | 25.5 | N/A | 30 | 4.5 | 0.50 | 7.5 |
| 20 - 3/4" | 90 | 90 | 12.7 | 38 | 115 | 50 | 12 | 3/8"-7.0 | 52 | 25.5 | F03 | 30 | 5.5 | 0.70 | 12.0 |
| 25 - 1" | 109 | 111 | 20 | 50 | 165 | 60 | 22 | 12 x 9.0 | | 35.4 | F05 | 40 | 6.5 | 1.45 | 32.0 |
| 32-1 1/4" | 117 | 121 | 25 | 63/60 ϕ | 165 | 65 | 17 | 12 x 9.0 | | 35.4 | F05 | 44 | 6.5 | 1.75 | 46.0 |
| 40-1 1/2" | 135 | 135 | 32 | 70 ϕ | 165 | 70 | 33 | 3/4"x14 | | 49.5 | F07 | 44 | 8.5 | 3.0 | 80.0 |
| 50 - 2" | 160 | 160 | 38 | 82 ϕ | 165 | 76 | 27 | 3/4"x14 | | 49.5 | F07 | | 8.5 | 3.5 | 105.0 |

We reserve the right to change specifications stated in this leaflet due to our continuing programme of development. BHseries-09/09
 For FULL BORE Valves, use the dimensions of the next larger size. ie for 1.1/4" Full Bore use 1.1/2" dimensions.
 Valve seats are tested at 10% above rated pressure [BS EN12266-1]. Using any higher test pressure will damage the seats.
 Use the valve half open on system tests above seat rated pressures. 1.1/2" and 2" valves are of 2 piece construction.
 Dimensions are the same for all pressure rating ie BHSA and BHSP Series.



Website: www.colson.co.uk

e-mail: sales@colson.co.uk



Certificate No LQR 0960294
 ISO 9001 Registered

Park Works, Park Road,
 ELLAND, West Yorkshire,
 HX5 9HN - England

Tel +44 (0) 845 094 3780
 Fax +44 (0) 845 094 3790