

'BHSX' Series HIGH PRESSURE Ball Valves

10,000 psi [Pn 690] Rated

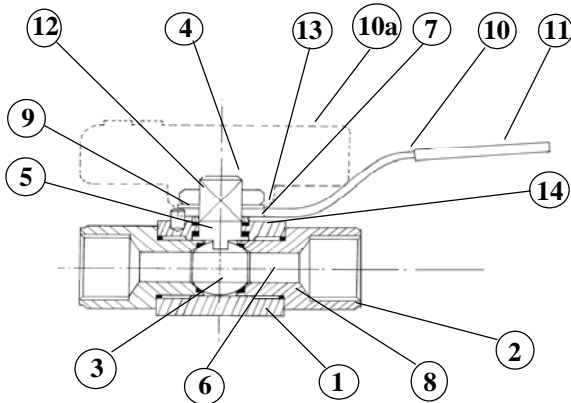
DESIGN FEATURES

- * Robust HIGH pressure design
- * Internally loaded blow-out proof stem
- * Floating ball for positive shut-off
- * LOW operating torque
- * Smooth 1/4 turn action
- * Flexible 3 piece design
- * 316 ss to NACE specification
- * Range of end connections
- * Replaceable seats & seals
- * Ease of maintenance
- * Full material traceability
- * Choice of lever or pointer handles
- * Panel mounting option
- * Can be easily actuated
- * Locking kit available

3 Piece



MATERIALS of CONSTRUCTION - 316 Stainless Steel



ITEM	COMPONENT	MATERIAL
1	BODY	316 S 11 *
2	END CONNECTORS	316 S 11 *
3	BALL	316 S 11 *
4	STEM	316 S 11 *
5	STEM SEAL	PVDF
6	SEAT	PEEK
7	TOP SEAL	RTFE
8	BODY SEALS	PTFE/VITON
9	PIN	STAINLESS STEEL
10	LEVER HANDLE	STAINLESS STEEL
10	POINTER HANDLE	MAZAK 3
11	HANDLE SLEEVE	PVC
12	NUT	A4 ss
13	WASHER	A4 ss
14	SPACER	316 SS

Sample Part Number BHSX1015NFS

1/2" NPT 316 St. St. Ball Valve, 10mm Bore - 10,000 psi/Pn 690 Rated fitted with Lever handle.

VALVE PART NUMBER and ORDERING TABLE						
Valve Series	Bore	Size	Threads	* Material	Handle	Options
BHSX 10,000 psi/Pn690	10	08 - 1/4"	NF - NPT Female NM - NPT Male PF - BSPP Female PM - BSPP Male TF - BSPT Female TM - BSPT Male	D - 31803 Duplex H - Hasteloy J - 6Mo M - Monel S - 316 SS T - Titanium U - 32760 S.Duplex	-TH StSt 'T' Handle	-SR Spring Return -DA Double Acting -EA Electric -PM Panel Mount -LK Locking -ACT Actuator use
		10 - 3/8"				
	15 - 1/2"					
	13	20 - 3/4"			-PH Pointer	
	19	25 - 1"				

Valve Part Number for FULL BORE - USE BORE size equal to thread size e.g. BHSX1015NFS
All Valves have Stainless Steel Lever Handles as standard.

BHXseries - 09/09



Website: www.colson.co.uk

e-mail: sales@colson.co.uk



Certificate No LRQ 0960294
ISO 9001 Registered

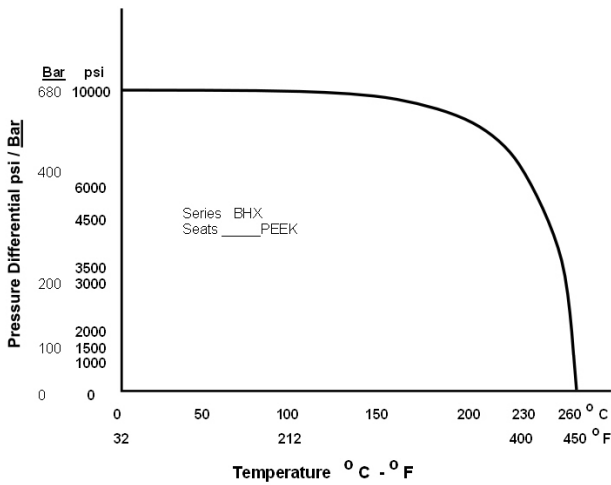
Park Works, Park Road,
ELLAND, West Yorkshire.
HX5 9HN - England

Tel +44 (0) 845 094 3780
Fax +44 (0) 845 094 3790

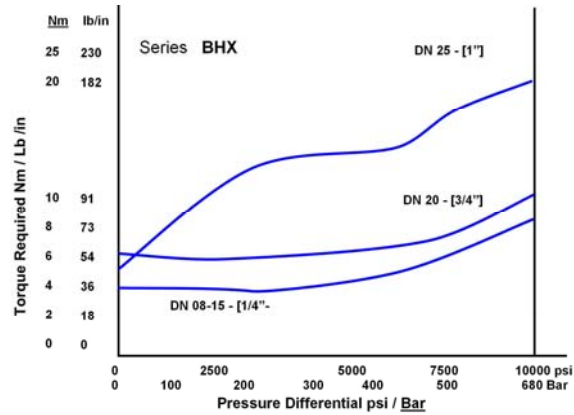
'BHSX' Series HIGH PRESSURE Ball Valves

TECHNICAL SPECIFICATIONS SHEET

PRESSURE/TEMPERATURE GRAPH

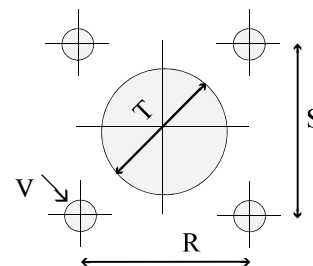
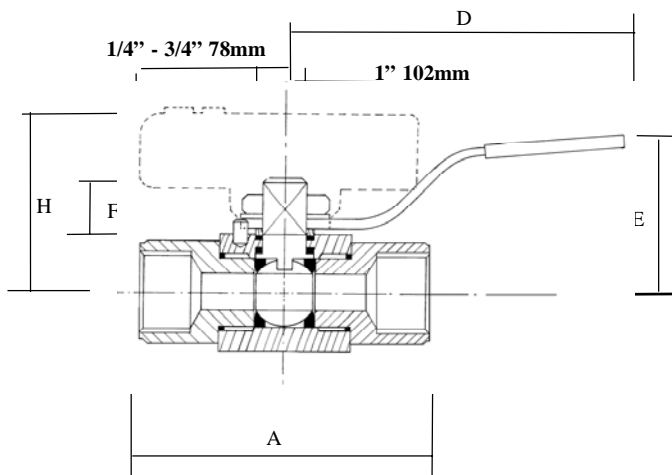


TORQUE INFORMATION



PANEL MOUNT DETAILS *

* Option to be specified when ordering



1/4" - 1/2" VALVES ARE M4 x 6 mm DEEP
 3/4" VALVE ARE M5 x 6 mm DEEP
 1" VALVE ARE M6 x 8 mm DEEP

Valve Size	VALVE SIZES and DIMENSION TABLE [mm] Rounded for clarity										WEIGHT Kgs			
	A		B ϕ	C Sq	D	E	F	G ϕ x A/F	H	Panel Mount Dimensions				
	BSP	TAPER								R & S		ISO	T ϕ	V ϕ
08 - 1/4"	81	81	10	32	115	45	14	3/8"-7.0	49	25.5	N/A	30	5	0.50
10 - 3/8"	85	87	10	32	115	45	14	3/8"-7.0	49	25.5	N/A	30	5	0.52
15 - 1/2"	93	95	10	32	115	45	14	3/8"-7.0	49	25.5	N/A	30	5	0.60
20 - 3/4"	100	100	12.7	38	115	50	12	3/8"-7.0	52	25.5	F03	30	5.5	0.80
25 - 1"	120	122	20	50	165	60	22	12 x 9.0	--	35.4	F05	44	6.5	1.65

We reserve the right to change specifications stated in this leaflet due to our continuing programme of development.
 For FULL BORE Valves, use the dimensions of the next larger size. ie for 1/2" Full Bore use 3/4" Dimensions.
 Valve seats are tested at 10% above rated pressure [BS EN12266-1]. Using any higher test pressure will damage the seats. Use the valve half open on system tests above rated seat pressure.

BhXserie -09/09



Website: www.colson.co.uk

e-mail: sales@colson.co.uk



Certificate No LRQ 0960294
 ISO 9001 Registered

Park Works, Park Road,
 ELLAND, West Yorkshire.
 HX5 9HN - England

Tel +44 (0) 845 094 3780
 Fax +44 (0) 845 094 3790