

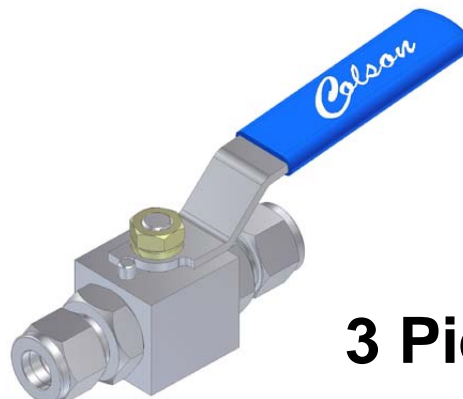
# 'BH' Series Compend BALL VALVES

## 1,000 psi [Pn 69] Rated 6,000 psi [Pn 414] Rated

### Compression Ended Valves

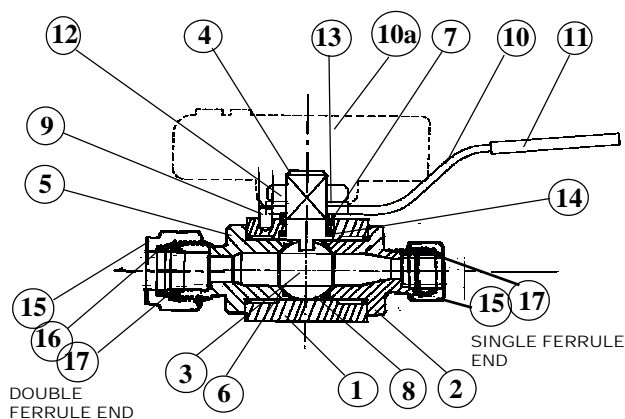
#### DESIGN FEATURES

- \* Robust HIGH pressure design
- \* Internally loaded blow-out proof stem
- \* Floating ball for positive shut-off
- \* LOW operating torque
- \* Smooth 1/4 turn action
- \* Flexible 3 piece design
- \* 316 ss to NACE specification
- \* Twin Ferrule end connections - Metric . or Imperial tube sizes
- \* Replaceable seats & seals
- \* Ease of maintenance
- \* Full material traceability
- \* Choice of lever or pointer handles
- \* Panel mounting option
- \* Can be easily actuated
- \* Locking kit available



## 3 Piece

#### MATERIALS of CONSTRUCTION - 316 Stainless Steel



ITEM	COMPONENT	MATERIAL
1	BODY	316 S 11 *
2	END CONNECTORS	316 S 11 *
3	BALL	316 S 11 *
4	STEM	316 S 11 *
5	STEM SEAL	RTFE
6	SEATS	PTFE / PVDF
7	TOP SEAL	RTFE
8	BODY SEAL	PTFE
9	PIN	STAINLESS STEEL
10	LEVER HANDLE	STAINLESS STEEL
10a	POINTER HANDLE	MAZAK 3
11	HANDLE SLEEVE	PVC
12	NUT	A4 ss
13	WASHER	A4 ss
14	SPACER	316 SS
15	NUT	316 SS
16	Ferrule Back	316 SS
17	Ferrule Front	316 SS

Sample Part Number BHSP1015C2S

1/2"O.D 316 St. St. Ball Valve, 10mm Bore - 6,000psi/Pn 414 Rated fitted with Lever handle.

#### VALVE PART NUMBER and ORDERING TABLE

Valve Series	Bore	Size Metric Imperial	End Style	* Material	Handle	Options
BHSA 1,000 psi/Pn 69	10	08 - 1/4" 10 - 3/8" 15 - 1/2"	C1 - 1 FERRULE Imp C2 - 2 FERRULE Imp	A - Ali-Bronze D - 31803 Duplex H - Hasteloy I - Incoloy M - Monel S - 316 SS T - Titanium U - 32760 S.Duplex	-PH Pointer  -TH StSt 'T' Handle	-SR Spring Return -DA Double Acting -EA Electric -PM Panel Mount -Lk Locking -ACT Actuator use -EP Ends Pinned
* BHSP 6,000 psi/Pn414	13 19	20 - 3/4" 25 - 1"	DS - Din 'S' Metric DL - Din 'L' Metric M2 - 2 FERRULE Metric			

Valve Part Number for FULL BORE - USE BORE size equal to thread size e.g. BHSP1015C2S Becomes BHSP1315C2S  
All Valves have Stainless Steel Lever Handles as standard.

BHCseries - 09/09

**Colson**  
Industries Ltd

Website: [www.colson.co.uk](http://www.colson.co.uk)

e-mail: [sales@colson.co.uk](mailto:sales@colson.co.uk)



Certificate No LQR 0960294  
ISO 9001 Registered

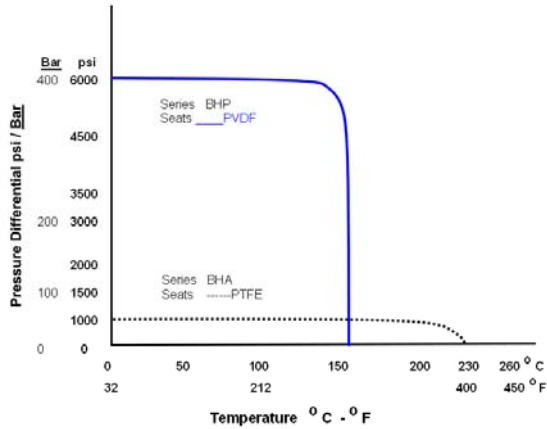
Park Works, Park Road,  
ELLAND, West Yorkshire.  
HX5 9HN - England

Tel +44 (0) 845 094 3780  
Fax +44 (0) 845 094 3790

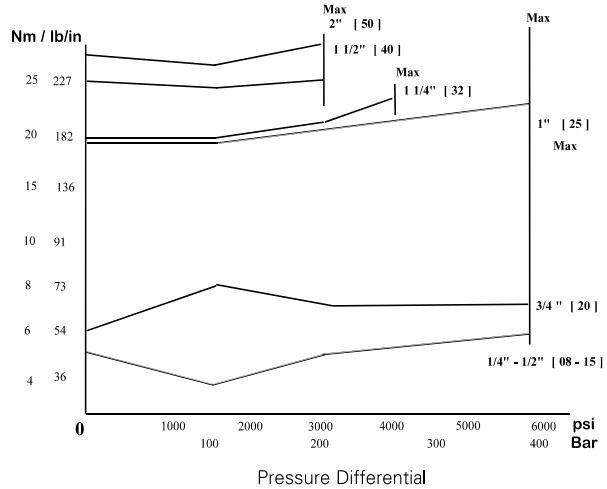
# 'BH' Series Compend BALL VALVES

## TECHNICAL SPECIFICATIONS SHEET

PRESSURE/TEMPERATURE GRAPH

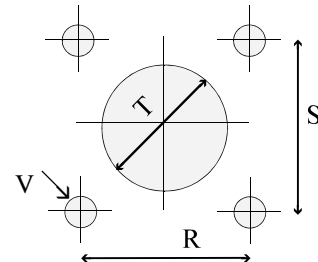
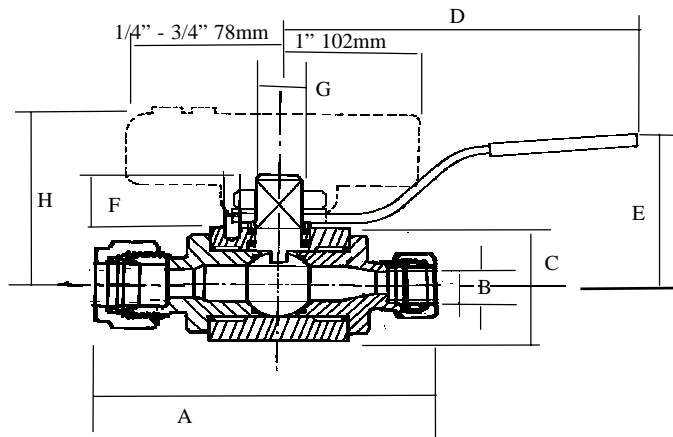


TORQUE INFORMATION



### PANEL MOUNT DETAILS \*

\* Option to be specified when ordering



1/4" - 1/2" VALVES ARE M4 x 6 mm DEEP  
 3/4" VALVE ARE M5 x 6 mm DEEP  
 1" VALVE ARE M6 x 8 mm DEEP

VALVE SIZES and DIMENSION TABLE

Valve Size	A - Nut Hand Tight		B $\phi$	C Sq	D	E	F	G $\phi \times A/F$	H	Panel Mount Dimensions				WEIGHT Kgs
	Imperial	Metric								R & S	ISO	T $\phi$	V $\phi$	
06	---	89	10	32	115	45	14	3/8"-7.0	49	25.5	N/A	30	5	0.44
08 - 1/4"	91	89	10	32	115	45	14	3/8"-7.0	49	25.5	N/A	30	5	0.46
10 - 3/8"	93	93	10	32	115	45	14	3/8"-7.0	49	25.5	N/A	30	5	0.47
12 - 1/2"	99	101	10	32	115	45	12	3/8"-7.0	49	25.5	N/A	30	5	0.68
15	---	104	12.7	38.1	115	50	12	3/8"-7.0	52	25.5	F03	40	5.5	0.70
20 - 3/4"	102	104	12.7	38.1	115	50	12	3/8"-7.0	52	25.5	F03	40	5.5	0.85
25 - 1"	135	133	19	50	165	60	22	12x 9.0	--	35.4	F05	44	6.5	1.56

We reserve the right to change specifications stated in this leaflet due to our continuing programme of development.

For FULL BORE Valves, use the dimensions of the next larger size. ie for 1/2" Full Bore use 3/4" Dimensions.

Valve seats are tested at 10% above rated pressure [BS EN 12266-1]. Using any higher test pressure will damage the seats.

Use the valve half open on system tests above seat rated pressures. Dimensions are the same for all pressure rating ie BH-A and BH-P Series. IT IS IMPORTANT that the customer chooses the correct wall thickness of tube for the pressures required.

Pressure Rating will also depend upon wall thickness of tubing used.



Website: [www.colson.co.uk](http://www.colson.co.uk)

e-mail: [sales@colson.co.uk](mailto:sales@colson.co.uk) Certificate No LQR 0960294  
 ISO 9001 Registered



BHComp-09/09

Park Works, Park Road,  
 ELLAND. West Yorkshire.  
 HX5 9HN - England

Tel +44 (0) 845 094 3780  
 Fax +44 (0) 845 094 3790