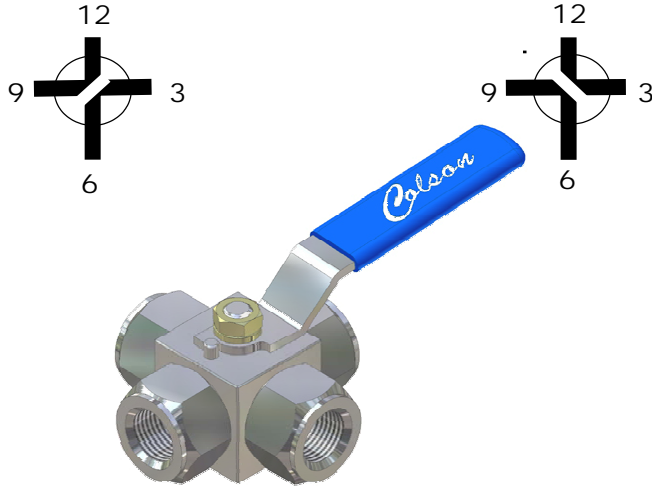


B4-A
B4-S

'B4' Series - 4 WAY BALL VALVES

1,000 psi [Pn 68] Rated

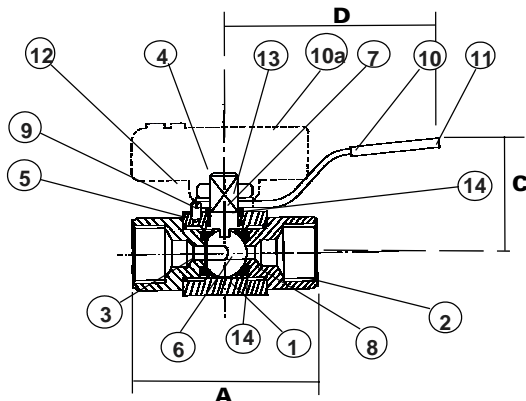
3,000 psi [Pn 204] Rated



DESIGN FEATURES

- * Robust HIGH pressure design
- * Internally loaded Blow-out proof stem
- * Ball/seats Float for positive shut-off
- * Flow diversion - 3-6 & 9-12 / 6-9 & 12-3
- * Low operating torque
- * Smooth 1/4 turn action
- * Flexible 3 piece design
- * 316 ss to NACE Specification
- * Wide range of end connections
- * Replaceable seats & seals
- * Ease of maintenance
- * Full material traceability
- * Choice of Lever or Pointer Handles
- * Panel Mounting Option
- * Can be easily actuated
- * Locking Kit available

MATERIALS of CONSTRUCTION - 316 Stainless Steel



Ball Bore = 5mm 'A'=Length 'A1'=Width [Back to Front]

ITEM	COMPONENT	MATERIAL
1	BODY	316 S 11 *
2	END CONNECTORS	316 S 11 *
3	BALL	316 S 11 *
4	STEM	316 S 11 *
5	STEM SEAL	RTFE
6	SEATS	PTFE / PVDF
7	TOP SEAL	RTFE
8	BODY SEAL	PTFE
9	PIN	STAINLESS STEEL
10	LEVER HANDLE	STAINLESS STEEL
10a	POINTER HANDLE	MAZAK 3
11	HANDLE SLEEVE	PVC
12	NUT	A4 ss
13	WASHER	A4 ss
14	SPACER	316 SS
15	SEAT SEAL	VITON

Valve Size	A	A1	B	C	D
08 - 1/4"	80	81	5	50	115
10 - 3/8"	80	81	5	50	115
15 - 1/2"	90	91	5	50	115

Sample Part Number B4SA0510NFS

3/8" NPT 316 St St 4 Way Ball Valve, 5mm Bore - 1000 psi/Pn 68 Rated fitted with Lever Handle.

VALVE PART NUMBER and ORDERING TABLE						
Valve Series	Bore	Size	Threads	* Material	Handle	Options
B4SA 1,000 psi/Pn 68	05	08 - 1/4"	NF - NPT Female PF - BSPP Female TF - BSPT Female	D - 31803 Duplex H - Hasteloy M - Monel S - 316 SS	-PH Pointer -TH StSt 'T' Handle	-PM Panel Mount -LK Locking -ACT Actuator use -EP Ends Pinned
		10 - 3/8"				
B4SS 3,000 psi/Pn204	15 - 1/2"					

All Valves have Stainless Steel Lever Handles as standard.

B4series - 01/08



Website: www.colson.co.uk

e-mail: sales@colson.co.uk



Certificate No L R Q 0960294
ISO 9001 Registered

Park Works, Park Road,
ELLAND, West Yorkshire.
HX5 9HN - England

Tel +44 (0) 845 094 3780
Fax +44 (0) 845 094 3790